



DOSING SYSTEMS



WATER SYSTEM



# NEW PRODUCT 2008



DOSING PUMP 997



### AQUA DOSING SYSTEMS

AQUA has always given particular attention to the development and manufacturing of new products for water treatment. Today, after many years of research, we are proud to present a new range of dosing pumps and controllers. AQUA pumps and controllers are versatile and perfect for water treatment, swimming pool, process, cleaning and general industries.

The pumps are supplied standard with Glass double ball check valves and Viton seals. The HC897 has PTFE balls and Witon Seals. Standard power supply is 230vAC and 110vAC 50/60 Hz. For other voltages you should contact our technical department.

HC1 Series pumps operate at 105 pulses/minute while HC2 and HC3 operate at 120 pulses/minute. HC4 and HC897 Series operate at 150 pulses/minute.

The solenoid driven dosing pump housing is manufactured in glass fibre reinforced polypropylene while the dosing head is made as standard in Polypropylene loaded with talc. The diaphragm is manufactured in PTFE.

All solenoid driven dosing pumps with the exception of HC100 basic are provided with low level input. Upon request a low level probe is available, please see section 14. Accessories.

All solenoid driven dosing pumps are supplied as standard with the following hose & fittings kit comprising of: Injection fitting, Foot valve strainer, 2 m delivery hose (PE), 2 x 1.5 m Suction/Priming clear hose(PVC), Screws and raw plugs.

All instruments and controllers are supplied for use on 230vAC and 110vAC 50/60Hz mains supply voltage. Different voltages can be supplied upon request.

**All our pumps are manufactured in compliance to EC regulations.**

### INDEX

- 1 Solenoid driven dosing pumps HC897
- 2 Solenoid driven dosing pumps HC1 series
- 3 Solenoid driven dosing pumps HC2 series
- 4 Solenoid driven dosing pumps HC3 series
- 5 Solenoid driven dosing pumps HC4 series
- 6 Dosing pumps for polyphosphate solution
- 7 Controllers and Analysers - AE series
- 8 Free chlorine control system
- 9 Contacting head pulse water meters
- 10 Mixers
- 11 Dosing tanks in PE
- 12 Electrodes and accessories
- 13 Spare Parts
- 14 Sale terms and conditions

# dosing system

# acqua HC 897



## TECHNICAL DETAIL

Constant Flow Solenoid Driven Dosing Pump  
 PTFE diaphragm  
 Stroke frequency control 0÷100%  
 Analogue Controls  
 1 LED display status  
 Double scale pulse reduction: 0÷100% - 0÷20%  
 On-Off power switch  
 Air Bleed valve for priming  
 Low-Level control facility  
 Wall mounting or foot mounting with bracket (both included)  
 Reinforced PPE housing  
 Supplied with complete accessory Kit  
 Power Supply: 220-230V ± 10% - 50/60Hz  
 IP 65 protection

## Solenoid Driven Dosing Pumps HC 897

### Constant mode

The pump flow rate is adjusted via a strokes frequency knob. The pump will constantly perform the dosing operation according to the flow rate selected by the selected frequency.

### Double scale adjustment

For accurate control of flow, a pump pulse reduction selector.

## LIQUID ENDS MATERIAL

HC 897	Standard Version	Upon request
Pump head	PVDF	PP
Diaphragm	PTFE	-
Ball check valves	PTFE	Ceramic, Glass Pyrex
Connection fitting	PVDF	PP
Seals/O-rings	Viton®	Dutral®
Injection Fitting	PVDF	PP
Foot Valve/Filter Fitting	PVDF	PP
Upon request: Lip valves	Viton®	Dutral®

## TECHNICAL CHARACTERISTICS HC 897 SERIES

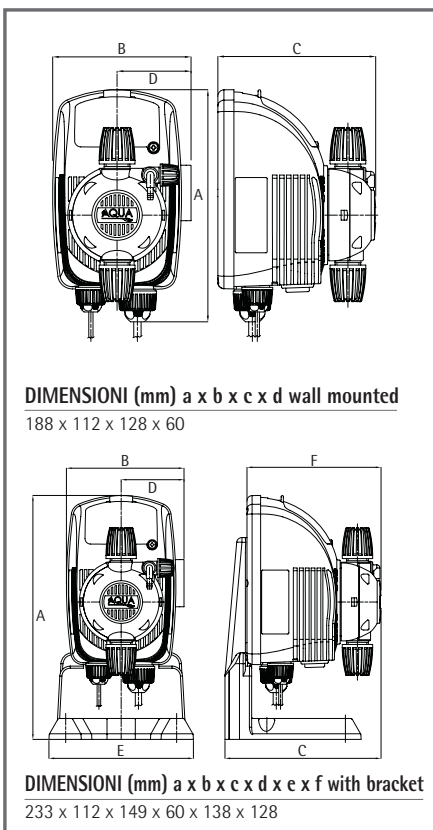
	MAX FLOW l/h	MAX PRESSURE bar	STROKE FREQUENCY per min.	STROKE VOLUME ml/pulse	POWER CONS. watt	HOSE SIZE mm	PUMP HEAD model
AD89000010000	2	8	150	0,22	15	4 x 6	PP 1/2"
AD89000010000	5	5	150	0,55	15	4 x 6	PP 1/2"
AD89000010000	7	2	150	0,77	15	4 x 6	PP 1/2"
AD89001010000	7	4	150	0,77	15	4 x 6	PP 1/2"
AD89001010000	8	2	150	0,88	15	4 x 6	PP 1/2"
AD89001010000	10	0	150	1,11	15	4 x 6	PP 1/2"
AD89002010000	3	12	150	0,33	20	4 x 6	PP 1/2"
AD89002010000	4	10	150	0,44	20	4 x 6	PP 1/2"
AD89002010000	5	8	150	0,55	20	4 x 6	PP 1/2"
AD89003010000	10	4	180	0,93	20	4 x 6	PP 1/2"
AD89003010000	12	2	180	1,11	20	4 x 6	PP 1/2"
AD89003010000	14	0	180	1,29	20	4 x 6	PP 1/2"

## STANDARD ACCESSORY KIT

n. 1 PP Injection No-return sleeve valve	n. 1 PP Foot Valve with lip valve
n. 2 m. PE Discharge Hose	n. 1,5 PVC Crystal Air Bleed Hose
n. 2 m. PVC Crystal Suction Hose	Power supply: 230 Vac-1 phase-50/60 Hz / ± 10%

On request level probe ADSLG1

# Series HC 897





**TECHNICAL DETAIL**

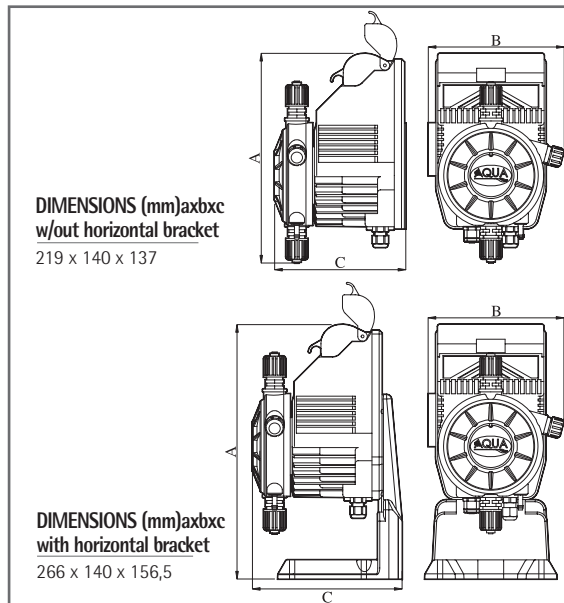
Flow rate l/h	Pressure bar	Dosing Head Material - Connections	Volume ml/stroke
1	8	PP 3/8" 4X6	0,16
2	7	PP 3/8" 4X6	0,32
2	12	PP 3/8" 4X6	0,32
4	5	PP 3/8" 4X6	0,64
5	8	PP 3/8" 4X6	0,79

**TYPICAL OUTPUT**

Pump Type	Flow at max pressure		Flow at average pressure		Flow at 1 bar		NOTE: All mentioned outputs refer to tests done having water temperature at 20°C with indicated counter pressure. Tolerance is calculated at +- 10% at a constant pressure of +- 0,5 bars.
	l/h	bar	l/h	bar	l/h	bar	
01-08	1	8	4,5	4	7,5	1	
02-07	2	7	5	3,5	8	1	
02-12	2	12	4	6	8	1	
04-05	4	5	6,5	2,5	9	1	
05-08	5	8	7	4	10	1	

**LIQUID END MATERIALS HC1**

HC 1	Standard Version	Upon request
Pump head	PP	PVDF, PVC self degassing head
Diaphragm	PTFE	-
Balls	GLASS PYREX	PTFE; CERAMIC
Connection fitting	PP	PVDF
Seals/O-rings	Viton®	Dutral®
Spring loaded injection valve	Hastelloy/Pirex	Hastelloy/ (PTFE; CERAMIC)
Injection fitting	PP	PVDF
Foot Strainer	PP	PVDF
Suction hose/Air Bleed hose	PVC	PVDF
Discharge hose	PE	PVDF



**NON-STANDARD OPTIONS**

Low Level Facility – HC 100
Power Supply 24vAC Model HC 100
Electric Plug
Power Supply 110vAC 50/60 Htz
Power Supply 12-24 Vdc Model HC 100
Power supply extractable connector

All our pumps are manufactured in compliance to EC regulations. Power Supply standard 230Vac 50/60Hz.

Note: For horizontal mounting version which requires a bracket, add Code: ADBAS100

# Series HC1



aqua HC 1

HC 100

Constant flow rate adjustment via stroke frequency.  
Double scale pulse frequency selector 0-100% and 0-20%.  
Analogue controls.

VERSION WITH VITON SEALS

CODE	MODEL	HOSE DIAMETER	PACKING DIMENSIONS (mm)	PACKING	Kg	CONSUMPTION	
			a x b x c	carton		watt	
AD10001080000000	HC100 01.08	4 x 6	200 x 260 x 160	1	3,0	13	
AD10002070000000	HC100 02.07	4 x 6	200 x 260 x 160	1	3,0	13	
AD10002120000000	HC100 02.12	4 x 6	200 x 260 x 160	1	3,0	21	
AD10004050000000	HC100 04.05	4 x 6	200 x 260 x 160	1	3,0	13	
AD10005080000000	HC100 05.08	4 x 6	200 x 260 x 160	1	3,0	21	

VERSION WITH DUTRAL SEALS

CODE	MODEL	HOSE DIAMETER	PACKING DIMENSIONS (mm)	PACKING	Kg	CONSUMPTION	
			a x b x c	carton		watt	
AD10001080A00000	HC100 01.08	4 x 6	200 x 260 x 160	1	3,0	13	
AD10002070A00000	HC100 02.07	4 x 6	200 x 260 x 160	1	3,0	13	
AD10002120A00000	HC100 02.12	4 x 6	200 x 260 x 160	1	3,0	21	
AD10004050A00000	HC100 04.05	4 x 6	200 x 260 x 160	1	3,0	13	
AD10005080A00000	HC100 05.08	4 x 6	200 x 260 x 160	1	3,0	21	



aqua HC 1

HC 100 PRED LIV

Constant flow rate adjustment via stroke frequency.  
Double scale pulse frequency selector 0-100% and 0-20%.  
Low level facility (low level probe and connector not included).  
Analogue controls.

VERSION WITH VITON SEALS

CODE	MODEL	HOSE DIAMETER	PACKING DIMENSIONS (mm)	PACKING	Kg	CONSUMPTION	
			a x b x c	carton		watt	
AD10001080010000	HC100 01.08	4 x 6	200 x 260 x 160	1	3,0	13	
AD10002070010000	HC100 02.07	4 x 6	200 x 260 x 160	1	3,0	13	
AD10002120010000	HC100 02.12	4 x 6	200 x 260 x 160	1	3,0	21	
AD10004050010000	HC100 04.05	4 x 6	200 x 260 x 160	1	3,0	13	
AD10005080010000	HC100 05.08	4 x 6	200 x 260 x 160	1	3,0	21	

VERSION WITH DUTRAL SEALS

CODE	MODEL	HOSE DIAMETER	PACKING DIMENSIONS (mm)	PACKING	Kg	CONSUMPTION	
			a x b x c	carton		watt	
AD10001080A10000	HC100 01.08	4 x 6	200 x 260 x 160	1	3,0	13	
AD10002070A10000	HC100 02.07	4 x 6	200 x 260 x 160	1	3,0	13	
AD10002120A10000	HC100 02.12	4 x 6	200 x 260 x 160	1	3,0	21	
AD10004050A10000	HC100 04.05	4 x 6	200 x 260 x 160	1	3,0	13	
AD10005080A10000	HC100 05.08	4 x 6	200 x 260 x 160	1	3,0	21	



## aqua HC 1



## HC 100 P-I

Electronic frequency adjustment.  
Proportional control via a volt free pulse input with multiplication or division feature.  
Microprocessor technology, digital control and display.  
IP65 rated. Provided with low level facility.  
Low level probe and connector not included.

## VERSION WITH VITON SEALS

CODE	MODEL	HOSE DIAMETER	PACKING DIMENSIONS (mm)	PACKING	Kg	CONSUMPTION	
			a x b x c			carton	watt
AD12001080000000	HC100 P-I 01.08	4 x 6	200 x 260 x 160	1	3,0	14	
AD12002070000000	HC100 P-I 02.07	4 x 6	200 x 260 x 160	1	3,0	14	
AD12002120000000	HC100 P-I 02.12	4 x 6	200 x 260 x 160	1	3,0	22	
AD12004050000000	HC100 P-I 04.05	4 x 6	200 x 260 x 160	1	3,0	14	
AD12005080000000	HC100 P-I 05.08	4 x 6	200 x 260 x 160	1	3,0	22	

## VERSION WITH DUTRAL SEALS

CODE	MODEL	HOSE DIAMETER	PACKING DIMENSIONS (mm)	PACKING	Kg	CONSUMPTION	
			a x b x c			carton	watt
AD12001080A00000	HC100 P-I 01.08	4 x 6	200 x 260 x 160	1	3,0	14	
AD12002070A00000	HC100 P-I 02.07	4 x 6	200 x 260 x 160	1	3,0	14	
AD12002120A00000	HC100 P-I 02.12	4 x 6	200 x 260 x 160	1	3,0	22	
AD12004050A00000	HC100 P-I 04.05	4 x 6	200 x 260 x 160	1	3,0	14	
AD12005080A00000	HC100 P-I 05.08	4 x 6	200 x 260 x 160	1	3,0	22	

## aqua HC 1



## HC 100 mA

Electronic frequency adjustment.  
Proportional control via a 4-20 mA input.  
Microprocessor technology, digital controls and display.  
IP65 rated Provided with low level facility.  
Low level probe and connector not included.

## VERSION WITH VITON SEALS

CODE	MODEL	HOSE DIAMETER	PACKING DIMENSIONS (mm)	PACKING	Kg	CONSUMPTION	
			a x b x c			carton	watt
AD13001080000000	HC100 mA 01.08	4 x 6	200 x 260 x 160	1	3,0	14	
AD13002070000000	HC100 mA 02.07	4 x 6	200 x 260 x 160	1	3,0	14	
AD13002120000000	HC100 mA 02.12	4 x 6	200 x 260 x 160	1	3,0	22	
AD13004050000000	HC100 mA 04.05	4 x 6	200 x 260 x 160	1	3,0	14	
AD13005080000000	HC100 mA 05.08	4 x 6	200 x 260 x 160	1	3,0	22	

## VERSION WITH DUTRAL SEALS

CODE	MODEL	HOSE DIAMETER	PACKING DIMENSIONS (mm)	PACKING	Kg	CONSUMPTION	
			a x b x c			carton	watt
AD13001080A00000	HC100 mA 01.08	4 x 6	200 x 260 x 160	1	3,0	14	
AD13002070A00000	HC100 mA 02.07	4 x 6	200 x 260 x 160	1	3,0	14	
AD13002120A00000	HC100 mA 02.12	4 x 6	200 x 260 x 160	1	3,0	22	
AD13004050A00000	HC100 mA 04.05	4 x 6	200 x 260 x 160	1	3,0	14	
AD13005080A00000	HC100 mA 05.08	4 x 6	200 x 260 x 160	1	3,0	22	





aqua HC 1



**HC 100 2T**

Dosing pump with built in frequency having a fixed timer for ON/OFF operations.  
ON time 1-999 seconds and OFF time 1-999 minutes.  
Upon request ON/OFF in seconds/seconds available.  
Microprocessor technology, digital controls and display.  
IP65 rated.  
Provided with low level facility.  
Low level probe and connector not included.

**VERSION WITH VITON SEALS**

CODE	MODEL	HOSE DIAMETER	PACKING DIMENSIONS (mm) a x b x c	PACKING carton	Kg	CONSUMPTION watt
AD16001080000000	HC100 2T 01.08	4 x 6	200 x 260 x 160	1	3,0	14
AD16002070000000	HC100 2T 02.07	4 x 6	200 x 260 x 160	1	3,0	14
AD16002120000000	HC100 2T 02.12	4 x 6	200 x 260 x 160	1	3,0	22
AD16004050000000	HC100 2T 04.05	4 x 6	200 x 260 x 160	1	3,0	14
AD16005080000000	HC100 2T 05.08	4 x 6	200 x 260 x 160	1	3,0	22

**VERSION WITH DUTRAL SEALS**

CODE	MODEL	HOSE DIAMETER	PACKING DIMENSIONS (mm) a x b x c	PACKING carton	Kg	CONSUMPTION watt
AD16001080A00000	HC100 2T 01.08	4 x 6	200 x 260 x 160	1	3,0	14
AD16002070A00000	HC100 2T 02.07	4 x 6	200 x 260 x 160	1	3,0	14
AD16002120A00000	HC100 2T 02.12	4 x 6	200 x 260 x 160	1	3,0	22
AD16004050A00000	HC100 2T 04.05	4 x 6	200 x 260 x 160	1	3,0	14
AD16005080A00000	HC100 2T 05.08	4 x 6	200 x 260 x 160	1	3,0	22

aqua HC 1



**HC 100 PH**

Dosing pump with built in proportional pH meter.  
pH range 0-14.  
Microprocessor technology, digital controls and display.  
IP65 rated.  
Provided with low level facility.  
Low level probe and connector not included.

**VERSION WITH VITON SEALS**

CODE	MODEL	HOSE DIAMETER	PACKING DIMENSIONS (mm) a x b x c	PACKING carton	Kg	CONSUMPTION watt
AD14001080000000	HC100 PH 01.08	4 x 6	200 x 260 x 160	1	3,0	14
AD14002070000000	HC100 PH 02.07	4 x 6	200 x 260 x 160	1	3,0	14
AD14002120000000	HC100 PH 02.12	4 x 6	200 x 260 x 160	1	3,0	22
AD14004050000000	HC100 PH 04.05	4 x 6	200 x 260 x 160	1	3,0	14
AD14005080000000	HC100 PH 05.08	4 x 6	200 x 260 x 160	1	3,0	22

**VERSION WITH DUTRAL SEALS**

CODE	MODEL	HOSE DIAMETER	PACKING DIMENSIONS (mm) a x b x c	PACKING carton	Kg	CONSUMPTION watt
AD14001080A00000	HC100 PH 01.08	4 x 6	200 x 260 x 160	1	3,0	14
AD14002070A00000	HC100 PH 02.07	4 x 6	200 x 260 x 160	1	3,0	14
AD14002120A00000	HC100 PH 02.12	4 x 6	200 x 260 x 160	1	3,0	22
AD14004050A00000	HC100 PH 04.05	4 x 6	200 x 260 x 160	1	3,0	14
AD14005080A00000	HC100 PH 05.08	4 x 6	200 x 260 x 160	1	3,0	22

## aqua HC 1

**HC 100 RX**

Dosing pump with built in proportional Redox (ORP) meter.

Redox range 0-999 mV

Microprocessor technology, digital controls and display.

IP65 rated.

Provided with low level facility.

Low level probe and connector not included.

**VERSION WITH VITON SEALS**

CODE	MODEL	HOSE DIAMETER	PACKING DIMENSIONS (mm)	PACKING	Kg	CONSUMPTION	
			a x b x c	carton		watt	
AD1500108000000	HC100 RX 01.08	4 x 6	200 x 260 x 160	1	3,0	14	
AD1500207000000	HC100 RX 02.07	4 x 6	200 x 260 x 160	1	3,0	14	
AD1500212000000	HC100 RX 02.12	4 x 6	200 x 260 x 160	1	3,0	22	
AD1500405000000	HC100 RX 04.05	4 x 6	200 x 260 x 160	1	3,0	14	
AD1500508000000	HC100 RX 05.08	4 x 6	200 x 260 x 160	1	3,0	22	



**TECHNICAL DETAIL**

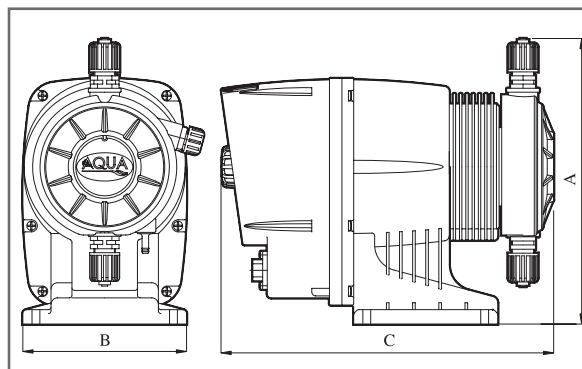
Flow rate l/h	Pressure bar	Dosing Head Material - Connections	Volume ml/stroke
2	18	PP 3/8" 4X6	0,27
4	18	PP 3/8" 4X6	0,55
9	9	PP 3/8" 4X6	1,25
15	3	PP 3/8" 4X6	2,08

**TYPICAL OUTPUT**

HC 2 Pump Type	Flow at max pressure		Flow at average pressure		Flow at 1 bar		NOTE: All mentioned outputs refer to tests done having water temperature at 20°C with indicated counter pressure. Tolerance is calculated at +- 10% at a constant pressure of +- 0,5 bars.
	l/h	bar	l/h	bar	l/h	bar	
02-18	2	18	4	9	9	1	
04-18	4	18	6,5	9	12	1	
09-09	9	9	12	4,5	15	1	
15-03	15	3	16	1,5	18	1	

**LIQUID END MATERIALS HC2**

HC 2	Standard Version	Upon request
Pump head	PP	PVDF, PVC self degassing head
Diaphragm	PTFE	-
Balls	GLASS PYREX	PTFE; CERAMIC
Connection fitting	PP	PVDF
Seals/O-rings	Viton®	Dutral®
Spring loaded injection valve	Hastelloy/Pirex	Hastelloy/ (PTFE; CERAMIC)
Injection fitting	PP	PVDF
Foot Strainer	PP	PVDF
Suction hose/Air Bleed hose	PVC	PVDF
Discharge hose	PE	PVDF



DIMENSIONS (mm) a x b x c: 218 x 125 x 254

**NON-STANDARD OPTIONS**

- Electric Plug
- Power Supply 110vAC 50/60 Htz, only for mod. HC200 and HC201
- Power Supply extractable connector

All our pumps are manufactured in compliance to EC regulations. Power Supply standard 230Vac 50/60Hz.

Note: For vertical mounting version which requires a bracket, Add Code: ADSTF200.

# Series HC2

## aqua HC 2

## HC 200

Constant flow rate adjustment from 0-120 strokes/minutes.  
Mechanical stroke length adjustment.  
Microprocessor technology, digital controls and display.  
IP65 rated.  
Provided with low level facility.  
Low level probe and connector not included.

## VERSION WITH VITON SEALS

CODE	MODEL	HOSE DIAMETER	PACKING DIMENSIONS (mm)	PACKING	Kg	CONSUMPTION
			a x b x c	carton		watt
AD22002180000000	HC200 02.18	4 x 6	350 x 300 x 160	1	5,0	34
AD22004180000000	HC200 04.18	4 x 6	350 x 300 x 160	1	5,0	34
AD22009090000000	HC200 09.09	4 x 6	350 x 300 x 160	1	5,0	34
AD22015030000000	HC200 15.03	4 x 6	350 x 300 x 160	1	5,0	34

## VERSION WITH DUTRAL SEALS

CODE	MODEL	HOSE DIAMETER	PACKING DIMENSIONS (mm)	PACKING	Kg	CONSUMPTION
			a x b x c	carton		watt
AD22002180A00000	HC200 02.18	4 x 6	350 x 300 x 160	1	5,0	34
AD22004180A00000	HC200 04.18	4 x 6	350 x 300 x 160	1	5,0	34
AD22009090A00000	HC200 09.09	4 x 6	350 x 300 x 160	1	5,0	34
AD22015030A00000	HC200 15.03	4 x 6	350 x 300 x 160	1	5,0	34



## aqua HC 2

## HC 201

Multifunction pump.  
Mechanical stroke length adjustment.  
Microprocessor technology, digital controls and display.  
Proportional control via a volt free pulse input with multiplication or division feature.  
Proportional control via a 4-20 mA input.  
Constant flow rate adjustment from 0-120 strokes/minutes.  
Minimum 1 impulse/10 minutes.  
Controlled by 24hr/7 day timer.  
IP65 rated.  
Provided with low level facility.  
Low level probe and connector not included.

## VERSION WITH VITON SEALS

CODE	MODEL	HOSE DIAMETER	PACKING DIMENSIONS (mm)	PACKING	Kg	CONSUMPTION
			a x b x c	carton		watt
AD24002180000000	HC201 02.18	4 x 6	350 x 300 x 160	1	5,0	36
AD24004180000000	HC201 04.18	4 x 6	350 x 300 x 160	1	5,0	36
AD24009090000000	HC201 09.09	4 x 6	350 x 300 x 160	1	5,0	36
AD24015030000000	HC201 15.03	4 x 6	350 x 300 x 160	1	5,0	36

## VERSION WITH DUTRAL SEALS

CODE	MODEL	HOSE DIAMETER	PACKING DIMENSIONS (mm)	PACKING	Kg	CONSUMPTION
			a x b x c	carton		watt
AD24002180A00000	HC201 02.18	4 x 6	350 x 300 x 160	1	5,0	36
AD24004180A00000	HC201 04.18	4 x 6	350 x 300 x 160	1	5,0	36
AD24009090A00000	HC201 09.09	4 x 6	350 x 300 x 160	1	5,0	36
AD24015030A00000	HC201 15.03	4 x 6	350 x 300 x 160	1	5,0	36





aqua HC 2

**HC 200 PH/RX**

Dosing pump with built in selectable pH or Redox instrument.  
 Proportional control from electrode signal.  
 pH range 0-14.  
 Redox range +/- 1000 mV.  
 Mechanical stroke length adjustment.  
 Microprocessor technology, digital controls and display.  
 IP65 rated.  
 Provided with low level facility.  
 Low level probe and connector not included.

**VERSION WITH VITON SEALS**

CODE	MODEL	HOSE DIAMETER	PACKING DIMENSIONS (mm)	PACKING	Kg	CONSUMPTION
			a x b x c	carton		watt
AD23002180000000	HC200 PH/RX 02.18	4 x 6	350 x 300 x 160	1	5,0	36
AD23004180000000	HC200 PH/RX 04.18	4 x 6	350 x 300 x 160	1	5,0	36
AD23009090000000	HC200 PH/RX 09.09	4 x 6	350 x 300 x 160	1	5,0	36
AD23015030000000	HC200 PH/RX 15.03	4 x 6	350 x 300 x 160	1	5,0	36

**VERSION WITH DUTRAL SEALS**

CODE	MODEL	HOSE DIAMETER	PACKING DIMENSIONS (mm)	PACKING	Kg	CONSUMPTION
			a x b x c	carton		watt
AD23002180A00000	HC200 PH/RX 02.18	4 x 6	350 x 300 x 160	1	5,0	36
AD23004180A00000	HC200 PH/RX 04.18	4 x 6	350 x 300 x 160	1	5,0	36
AD23009090A00000	HC200 PH/RX 09.09	4 x 6	350 x 300 x 160	1	5,0	36
AD23015030A00000	HC200 PH/RX 15.03	4 x 6	350 x 300 x 160	1	5,0	36



**TECHNICAL DETAIL**

Flow rate l/h	Pressure bar	Dosing Head Material - Connections	Volume ml/stroke
2	9	PP 3/8" 4X6	0,27
2	20	PVC 3/8" 4X6	0,27
5	9	PP 3/8" 4X6	0,69
10	4	PP 3/8" 4X6	1,38
10	8	PP 3/8" 4X6	1,38
15	5	PP 3/8" 4X6	2,08
18	4	PP 3/8" 4X6	2,50
30	2	PVC 1/2" 10X14	4,16
50	0,5	PVC 1/2" 10X14	6,94

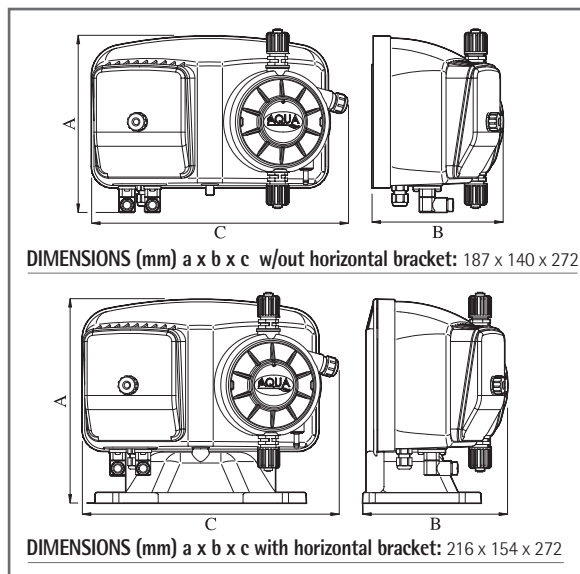
**TYPICAL OUTPUT**

HC 3 Pompa tipo	Flow at max pressure		Flow at average pressure		Flow at 1 bar	
	l/h	bar	l/h	bar	l/h	bar
02-09	2	9	4	4,5	9	1
02-20	2	20	3,5	10	8	1
05-09	5	9	8	4,5	12	1
10-04	10	4	13	2	17	1
10-08	10	8	12	4	15	1
15-05	15	5	18	2,5	22	1
18-04	18	4	22	2	24	1
30-02	30	2	35	1	38	0,5
50-0,5	50	0,5	55	0	-	-

NOTE: All mentioned outputs refer to tests done having water temperature at 20°C with indicated counter pressure. Tolerance is calculated at +- 10% at a constant pressure of +- 0,5 bars.

**LIQUID END MATERIALS HC3**

HC 3	Standard Version	Upon request
Pump head	PP/PVC	Up to 18 L/H - PVDF; up to 10 L/H - PVC self degassing head
Diaphragm	PTFE	-
Balls	GLASS PYREX	PTFE; CERAMIC
Connection fitting	PP	PVDF
Seals/O-rings	Viton®	Dutral®
Spring loaded injection valve	Hastelloy/Pirex	Hastelloy/ (PTFE; AISI 316; CERAMIC)
Injection fitting	PP	PVDF
Foot Strainer	PP	PVDF
Suction hose/Air Bleed hose	PVC	PVDF
Discharge hose	PE	PVDF



All our pumps are manufactured in compliance to EC regulations. Power Supply standard 230vAC 50/60Hz

Note: For horizontal mounting version which requires a bracket, Add Code: ADBAS300.

**NON-STANDARD OPTIONS**

- Electric Plug
- Power Supply 110vAC 50/60 Htz, only for mod. NC300 and HC301
- Power Supply extractable connector

# Series HC3

aqua HC 3

HC 300

Constant flow rate adjustment via stroke frequency.  
Double scale pulse frequency selector 0-100% and 0-20%.  
Analogue controls.  
Provided with low level facility.  
Low level probe and connector not included.

VERSION WITH VITON SEALS

CODE	MODEL	HOSE DIAMETER	PACKING DIMENSIONS (mm) a x b x c	PACKING carton	Kg	CONSUMPTION watt
AD30002200G00000	HC 300 02.20	4 X 6	350 x 300 x 160	1	6	35
AD30005090000000	HC 300 05.09	4 X 6	350 x 300 x 160	1	4	24
AD30010040000000	HC 300 10.04	4 X 6	350 x 300 x 160	1	4	24
AD30010080000000	HC 300 10.08	4 X 6	350 x 300 x 160	1	5	32
AD30018040000000	HC 300 18.04	4 X 6	350 x 300 x 160	1	5	35
AD30030020G00000	HC 300 30.02	10 X 14	350 x 300 x 160	1	6	35
AD30050010G00000	HC 300 50.0,5	10 X 14	350 x 300 x 160	1	6	35

VERSION WITH DUTRAL SEALS

CODE	MODEL	HOSE DIAMETER	PACKING DIMENSIONS (mm) a x b x c	PACKING carton	Kg	CONSUMPTION watt
AD30002200H00000	HC 300 02.20	4 X 6	350 x 300 x 160	1	6	35
AD30005090A00000	HC 300 05.09	4 X 6	350 x 300 x 160	1	4	24
AD30010040A00000	HC 300 10.04	4 X 6	350 x 300 x 160	1	4	24
AD30010080A00000	HC 300 10.08	4 X 6	350 x 300 x 160	1	5	32
AD30018040A00000	HC 300 18.04	4 X 6	350 x 300 x 160	1	5	35
AD30030020H00000	HC 300 30.02	10 X 14	350 x 300 x 160	1	6	35
AD30050010H00000	HC 300 50.0,5	10 X 14	350 x 300 x 160	1	6	35



## aqua HC 3

## HC 300 P-I

Electronic control adjustment.  
Proportional control via a volt free pulse input with multiplication or division feature.  
Microprocessor technology, digital controls and display.  
IP65 rated.  
Provided with low level facility.  
Low level probe and connector not included.

## VERSION WITH VITON SEALS

CODE	MODEL	HOSE DIAMETER	PACKING DIMENSIONS (mm)	PACKING	Kg	CONSUMPTION	
			a x b x c			carton	watt
AD32002090000000	HC 300 P-I 02.09	4 X 6	350 x 300 x 160	1	4	28	
AD32005090000000	HC 300 P-I 05.09	4 X 6	350 x 300 x 160	1	4	28	
AD32010040000000	HC 300 P-I 10.04	4 X 6	350 x 300 x 160	1	4	28	
AD32010080000000	HC 300 P-I 10.08	4 X 6	350 x 300 x 160	1	5	34	
AD32018040000000	HC 300 P-I 18.04	4 X 6	350 x 300 x 160	1	5	38	
AD32030020G00000	HC 300 P-I 30.02	10 X 14	350 x 300 x 160	1	6	38	
AD32050010G00000	HC 300 P-I 50,0,5	10 X 14	350 x 300 x 160	1	6	38	

## VERSION WITH DUTRAL SEALS

CODE	MODEL	HOSE DIAMETER	PACKING DIMENSIONS (mm)	PACKING	Kg	CONSUMPTION	
			a x b x c			carton	watt
AD32002090A00000	HC 300 P-I 02.09	4 X 6	350 x 300 x 160	1	4	28	
AD32005090A00000	HC 300 P-I 05.09	4 X 6	350 x 300 x 160	1	4	28	
AD32010040A00000	HC 300 P-I 10.04	4 X 6	350 x 300 x 160	1	4	28	
AD32010080A00000	HC 300 P-I 10.08	4 X 6	350 x 300 x 160	1	5	34	
AD32018040A00000	HC 300 P-I 18.04	4 X 6	350 x 300 x 160	1	5	38	
AD32030020H00000	HC 300 P-I 30.02	10 X 14	350 x 300 x 160	1	6	38	
AD32050010H00000	HC 300 P-I 50,0,5	10 X 14	350 x 300 x 160	1	6	38	



## aqua HC 3

## HC 300 mA

Electronic frequency adjustment.  
Proportional control via a 4-20 mA input.  
Microprocessor technology, digital controls and display.  
IP65 rated.  
Provided with low level facility.  
Low level probe and connector not included.

## VERSION WITH VITON SEALS

CODE	MODEL	HOSE DIAMETER	PACKING DIMENSIONS (mm)	PACKING	Kg	CONSUMPTION	
			a x b x c			carton	watt
AD33002090000000	HC 300 mA 02.09	4 X 6	350 x 300 x 160	1	4	28	
AD33005090000000	HC 300 mA 05.09	4 X 6	350 x 300 x 160	1	4	28	
AD33010040000000	HC 300 mA 10.04	4 X 6	350 x 300 x 160	1	4	28	
AD33010080000000	HC 300 mA 10.08	4 X 6	350 x 300 x 160	1	5	34	
AD33018040000000	HC 300 mA 18.04	4 X 6	350 x 300 x 160	1	5	38	
AD33030020G00000	HC 300 mA 30.02	10 X 14	350 x 300 x 160	1	6	38	
AD33050010G00000	HC 300 mA50,0,5	10 X 14	350 x 300 x 160	1	6	38	

## VERSION WITH DUTRAL SEALS

CODE	MODEL	HOSE DIAMETER	PACKING DIMENSIONS (mm)	PACKING	Kg	CONSUMPTION	
			a x b x c			carton	watt
AD33002090A00000	HC 300 mA02.09	4 X 6	350 x 300 x 160	1	4	28	
AD33005090A00000	HC 300 mA 05.09	4 X 6	350 x 300 x 160	1	4	28	
AD33010040A00000	HC 300 mA 10.04	4 X 6	350 x 300 x 160	1	4	28	
AD33010080A00000	HC 300 mA 10.08	4 X 6	350 x 300 x 160	1	5	34	
AD33018040A00000	HC 300 mA 18.04	4 X 6	350 x 300 x 160	1	5	38	
AD33030020H00000	HC 300 mA 30.02	10 X 14	350 x 300 x 160	1	6	38	
AD33050010H00000	HC 300 mA50,0,5	10 X 14	350 x 300 x 160	1	6	38	







aqua HC 3

HC 301

Multifunction pump. Microprocessor technology, digital controls and display.  
Proportional control via a volt free pulse input with multiplication or division feature.  
Proportional control via a 4-20 mA input.  
Constant flow rate adjustment from 0-120 strokes/minutes. Minimum 1 impulse/ 10 minutes.  
Controlled by 24hr/ 7 day timer.  
IP65 rated. Provided with low level facility.  
Low level probe and connector not included.

VERSION WITH VITON SEALS

CODE	MODEL	HOSE DIAMETER	PACKING DIMENSIONS (mm)	PACKING	Kg	CONSUMPTION	
			a x b x c			carton	watt
AD31002090000000	HC 301 02.09	4 X 6	350 x 300 x 160	1	4	29	
AD31005090000000	HC 301 05.09	4 X 6	350 x 300 x 160	1	4	29	
AD31010040000000	HC 301 10.04	4 X 6	350 x 300 x 160	1	4	29	
AD31010080000000	HC 301 10.08	4 X 6	350 x 300 x 160	1	5	36	
AD31018040000000	HC 301 18.04	4 X 6	350 x 300 x 160	1	5	40	
AD31030020G00000	HC 301 30.02	10 X 14	350 x 300 x 160	1	6	40	
AD31050010G00000	HC 301 50.0,5	10 X 14	350 x 300 x 160	1	6	40	

VERSION WITH DUTRAL SEALS

CODE	MODEL	HOSE DIAMETER	PACKING DIMENSIONS (mm)	PACKING	Kg	CONSUMPTION	
			a x b x c			carton	watt
AD31002090A00000	HC 301 02.09	4 X 6	350 x 300 x 160	1	4	29	
AD31005090A00000	HC 301 05.09	4 X 6	350 x 300 x 160	1	4	29	
AD31010040A00000	HC 301 10.04	4 X 6	350 x 300 x 160	1	4	29	
AD31010080A00000	HC 301 10.08	4 X 6	350 x 300 x 160	1	5	36	
AD31018040A00000	HC 301 18.04	4 X 6	350 x 300 x 160	1	5	40	
AD31030020H00000	HC 301 30.02	10 X 14	350 x 300 x 160	1	6	40	
AD31050010H00000	HC 301 50.0,5	10 X 14	350 x 300 x 160	1	6	40	



aqua HC 3

HC 300 PH-RX

Dosing pump with built in selectable pH or Redox instrument . Proportional control from electrode signal.  
pH range 0-14. Redox range +/- 1000 mV.  
Microprocessor technology, digital controls and display.  
IP65 rated.  
Provided with low level facility.  
Low level probe and connector not included.

VERSION WITH VITON SEALS

CODE	MODEL	HOSE DIAMETER	PACKING DIMENSIONS (mm)	PACKING	Kg	CONSUMPTION	
			a x b x c			carton	watt
AD35002090000000	HC300PH-RX 02.09	4 X 6	350 x 300 x 160	1	4	29	
AD35005090000000	HC300PH-RX 05.09	4 X 6	350 x 300 x 160	1	4	29	
AD35010040000000	HC300PH-RX 10.04	4 X 6	350 x 300 x 160	1	4	29	
AD35010080000000	HC300PH-RX 10.08	4 X 6	350 x 300 x 160	1	5	36	
AD35018040000000	HC300PH-RX 18.04	4 X 6	350 x 300 x 160	1	5	40	
AD35030020G00000	HC300PH-RX 30.02	10 X 14	350 x 300 x 160	1	6	40	
AD35050010G00000	HC300PH-RX 50.0,5	10 X 14	350 x 300 x 160	1	6	40	

VERSION WITH DUTRAL SEALS

CODE	MODEL	HOSE DIAMETER	PACKING DIMENSIONS (mm)	PACKING	Kg	CONSUMPTION	
			a x b x c			carton	watt
AD35002090A00000	HC300PH-RX 02.09	4 X 6	350 x 300 x 160	1	4	29	
AD35005090A00000	HC300PH-RX 05.09	4 X 6	350 x 300 x 160	1	4	29	
AD35010040A00000	HC300PH-RX 10.04	4 X 6	350 x 300 x 160	1	4	29	
AD35010080A00000	HC300PH-RX 10.08	4 X 6	350 x 300 x 160	1	5	36	
AD35018040A00000	HC300PH-RX 18.04	4 X 6	350 x 300 x 160	1	5	40	
AD35030020H00000	HC300PH-RX 30.02	10 X 14	350 x 300 x 160	1	6	40	
AD35050010H00000	HC300PH-RX 50.0,5	10 X 14	350 x 300 x 160	1	6	40	



## aqua HC 3

## HC 300 CL-P

Dosing pump with built in proportional Free Chlorine instrument.  
Range 0-10 PPM.

Microprocessor technology, digital controls and display.  
IP65 rated.

Supplied with connector facility for proximity switch (A-SP) to be used with Ampere-metric Chlorine Cell (A-CG3).  
Provided with low level facility.

Low level probe and connector not included.

## VERSION WITH VITON SEALS

CODE	MODEL	HOSE DIAMETER	PACKING DIMENSIONS (mm)	PACKING	Kg	CONSUMPTION	
			a x b x c	carton		watt	
AD36002090000000	HC300CL-P 02.09	4 X 6	350 x 300 x 160	1	4	28	
AD36005090000000	HC300 CL-P 05.09	4 X 6	350 x 300 x 160	1	4	28	
AD36010040000000	HC300 CL-P 10.04	4 X 6	350 x 300 x 160	1	4	28	
AD36010080000000	HC300 CL-P 10.08	4 X 6	350 x 300 x 160	1	5	34	
AD36015050000000	HC300 CL-P 15.05	4 X 6	350 x 300 x 160	1	5	38	



**TECHNICAL DETAIL**

Flow rate l/h	Pressure bar	Dosing Head Material - Connections	Volume ml/stroke
2	10	PP 3/8" 4X6	0,22
4	20	PVC 3/8" 4X6	0,44
5	10	PP 3/8" 4X6	0,55
10	5	PP 3/8" 4X6	1,11
10	10	PP 3/8" 4X6	1,11
20	5	PP 3/8" 4X6	2,22
30	2	PVC 1/2" 10X14	3,33
50	0,5	PVC 1/2" 10X14	5,55

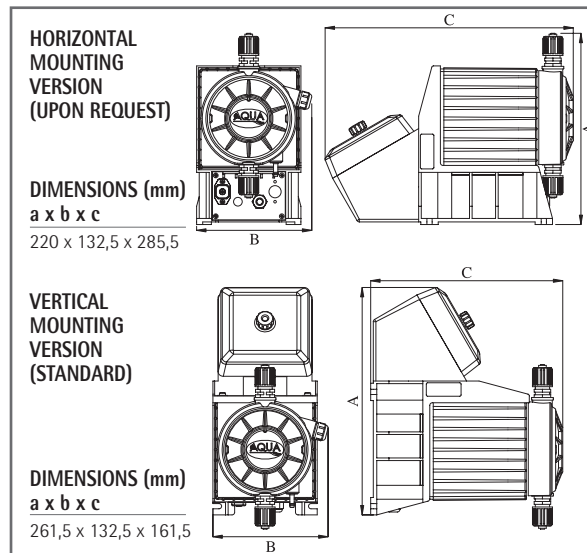
**TYPICAL OUTPUT**

HC 4 Pump type	Flow at max pressure		Flow at average pressure		Flow at 1 bar	
	l/h	bar	l/h	bar	l/h	bar
02-10	2	10	4	5	9	1
04-20	4	20	5	10	9	1
05-10	5	10	8	5	12	1
10-05	10	5	13	2,5	17	1
10-10	10	10	12	5	15	1
20-05	20	5	22	2,5	24	1
30-02	30	2	35	1	38	0,5
50-0,5	50	0,5	55	0	-	-

NOTE: All mentioned outputs refer to tests done having water temperature at 20°C with indicated counter pressure. Tolerance is calculated at +- 10% at a constant pressure of +- 0,5 bars.

**LIQUID END MATERIALS HC4**

HC 4	Standard Version	Upon request
Pump head	PP/PVC	Up to 20 L/H - PVDF; up to 10 L/H PVC self degassing head.
Diaphragm	PTFE	-
Balls	GLASS PYREX	PTFE; CERAMIC
Connection fitting	PP	PVDF
Seals/O-rings	Viton®	Dutral®
Spring loaded injection valve	Hastelloy/Pirex	Hastelloy/ (PTFE; CERAMIC)
Injection fitting	PP	PVDF
Foot Strainer	PP	PVDF
Suction hose/Air Bleed hose	PVC	PVDF
Discharge hose	PE	PVDF



**NON-STANDARD OPTION**

- Electric Plug
- Power Supply 110vAC 50/60 Hz, only for mod. HC400
- Power Supply extractable connector

All our pumps are manufactured in compliance to EC regulations.  
Power Supply standard 230vAC 50/60Hz.

# Series HC4

## aqua HC 4

## HC 400

Constant flow rate adjustment via stroke frequency.  
Double scale pulse frequency selector 0-100% and 0-20%.  
Analogue controls.  
Provided with low level facility.  
Low level probe and connector not included.  
IP65 Rated.

## VERSION WITH VITON SEALS

CODE	MODEL	HOSE DIAMETER	PACKING DIMENSIONS (mm)	PACKING	Kg	CONSUMPTION	
			a x b x c			carton	
AD80004200G00000	HC 400 04.20	4 X 6	350 x 300 x 160	1	6	45	
AD80005100000000	HC 400 05.10	4 X 6	350 x 300 x 160	1	4	31	
AD80010050000000	HC 400 10.05	4 X 6	350 x 300 x 160	1	4	31	
AD80010100000000	HC 400 10.10	4 X 6	350 x 300 x 160	1	4,5	42	
AD80020050000000	HC 400 20.05	4 X 6	350 x 300 x 160	1	6	45	
AD80030020G00000	HC 400 30.02	10 X 14	350 x 300 x 160	1	6	45	
AD80050010G00000	HC 400 50.0,5	10 X 14	350 x 300 x 160	1	6	45	

## VERSION WITH DUTRAL SEALS

CODE	MODEL	HOSE DIAMETER	PACKING DIMENSIONS (mm)	PACKING	Kg	CONSUMPTION	
			a x b x c			carton	
AD80004200H00000	HC 400 04.20	4 X 6	350 x 300 x 160	1	6	45	
AD80005100A00000	HC 400 05.10	4 X 6	350 x 300 x 160	1	4	31	
AD80010050A00000	HC 400 10.05	4 X 6	350 x 300 x 160	1	4	31	
AD80010100A00000	HC 400 10.10	4 X 6	350 x 300 x 160	1	4,5	42	
AD80020050A00000	HC 400 20.05	4 X 6	350 x 300 x 160	1	6	45	
AD80030020H00000	HC 400 30.02	10 X 14	350 x 300 x 160	1	6	45	
AD80050010H00000	HC 400 50.0,5	10 X 14	350 x 300 x 160	1	6	45	

## VERTICAL ASSEMBLY STANDARD EXECUTION





aqua HC 4

**HC 400 P-I**

Electronic control adjustment.  
 Proportional control via a volt free pulse input with multiplication or division feature.  
 Microprocessor technology, digital control and display.  
 IP65 rated.  
 Provided with low level facility.  
 Low level probe and connector not included.

**VERSION WITH VITON SEALS**

CODE	MODEL	HOSE DIAMETER	PACKING DIMENSIONS (mm)	PACKING	Kg	CONSUMPTION
			a x b x c			
AD82002100000000	HC 400 P-I 02.10	4 X 6	350 x 300 x 160	1	4	36
AD82005100000000	HC 400 P-I 05.10	4 X 6	350 x 300 x 160	1	4	36
AD82010050000000	HC 400 P-I 10.05	4 X 6	350 x 300 x 160	1	4	36
AD82010100000000	HC 400 P-I 10.10	4 X 6	350 x 300 x 160	1	4,5	44
AD82020050000000	HC 400 P-I 20.05	4 X 6	350 x 300 x 160	1	6	49
AD82030020G00000	HC 400 P-I 30.02	10 X 14	350 x 300 x 160	1	6	49
AD82050010G00000	HC 400 P-I 50.0,5	10 X 14	350 x 300 x 160	1	6	49

**VERSION WITH DUTRAL SEALS**

CODE	MODEL	HOSE DIAMETER	PACKING DIMENSIONS (mm)	PACKING	Kg	CONSUMPTION
			a x b x c			
AD82002100A00000	HC 400 P-I 02.10	4 X 6	350 x 300 x 160	1	4	36
AD82005100A00000	HC 400 P-I 05.10	4 X 6	350 x 300 x 160	1	4	36
AD82010050A00000	HC 400 P-I 10.05	4 X 6	350 x 300 x 160	1	4	36
AD82010100A00000	HC 400 P-I 10.10	4 X 6	350 x 300 x 160	1	4,5	44
AD82020050A00000	HC 400 P-I 20.05	4 X 6	350 x 300 x 160	1	6	49
AD82030020H00000	HC 400 P-I 30.02	10 X 14	350 x 300 x 160	1	6	49
AD82050010H00000	HC 400 P-I 50.0,5	10 X 14	350 x 300 x 160	1	6	49

**VERTICAL ASSEMBLY STANDARD EXECUTION**



aqua HC 4

**HC 400 mA**

Electronic frequency adjustment.  
 Proportional control via a 4-20 mA input.  
 Microprocessor technology, digital controls and display.  
 IP65 rated.  
 Provided with low level facility.  
 Low level probe and connector not included.

**VERSION WITH VITON SEALS**

CODE	MODEL	HOSE DIAMETER	PACKING DIMENSIONS (mm)	PACKING	Kg	CONSUMPTION
			a x b x c			
AD83002100000000	HC 400 mA 02.10	4 X 6	350 x 300 x 160	1	4	36
AD83005100000000	HC 400 mA 05.10	4 X 6	350 x 300 x 160	1	4	36
AD83010050000000	HC 400 mA 10.05	4 X 6	350 x 300 x 160	1	4	36
AD83010100000000	HC 400 mA 10.10	4 X 6	350 x 300 x 160	1	4,5	44
AD83020050000000	HC 400 mA 20.05	4 X 6	350 x 300 x 160	1	6	49
AD83030020G00000	HC 400 mA 30.02	10 X 14	350 x 300 x 160	1	6	49
AD83050010G00000	HC 400 mA 50.0,5	10 X 14	350 x 300 x 160	1	6	49

**VERSION WITH DUTRAL SEALS**

CODE	MODEL	HOSE DIAMETER	PACKING DIMENSIONS (mm)	PACKING	Kg	CONSUMPTION
			a x b x c			
AD83002100A00000	HC 400 mA 02.10	4 X 6	350 x 300 x 160	1	4	36
AD83005100A00000	HC 400 mA 05.10	4 X 6	350 x 300 x 160	1	4	36
AD83010050A00000	HC 400 mA 10.05	4 X 6	350 x 300 x 160	1	4	36
AD83010100A00000	HC 400 mA 10.10	4 X 6	350 x 300 x 160	1	4,5	44
AD83020050A00000	HC 400 mA 20.05	4 X 6	350 x 300 x 160	1	6	49
AD83030020H00000	HC 400 mA 30.02	10 X 14	350 x 300 x 160	1	6	49
AD83050010H00000	HC 400 mA 50.0,5	10 X 14	350 x 300 x 160	1	6	49

**VERTICAL ASSEMBLY STANDARD EXECUTION**



minidos

MINIDOS - Volumetric dosing pump

Why MINIDOS?

According to the regulations in force, the metering of antiscalant and anticorrosive for the treatment of drinking water should be proportional in any operation condition, with metered quantity not higher than the concentration of 5 ppm as P<sub>2</sub>O<sub>5</sub> per litre of treated water. AQUA has realized a new equipment that meters SAFELY and PROPORTIONALLY.

What's MINIDOS?

It's a volumetric dosing pump for the proportional dosing of AQUASIL 20/40 in the drinkable water to avoid possible scaling and corrosion of the hydraulic circuits.

Operating

MINIDOS is for liquid dosing only. The pumping is operated by a turbine, which transmits the movement to a special cam and enables the liquid pumping from the tank and the injection into the water circuit. By means of an injection valve, which establishes the instant mixing of AQUASIL 20/40 into the water, MINIDOS starts the dosing operation from a minimum drawing of 90lt/H with injection frequency every 0.3 Lts.

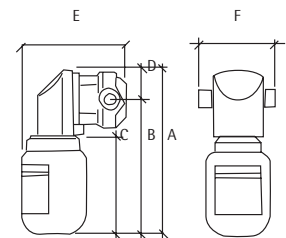
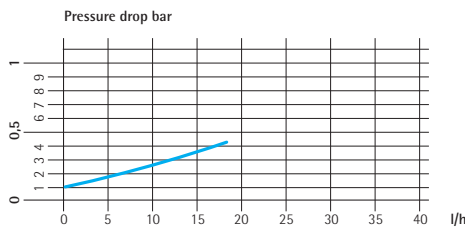
Pump priming

MINIDOS is completely self-priming; simply introduce AQUASIL 20/40 bottle into the suitable bayonet connection. The pump is protected against the hydraulic circuit counter-pressure by a non-return double valve.

OPERATING LIMITS

Min-max pressure:	1,5 - 6 ATM
Max water temperature:	40°C
Min line capacity for correct dosing:	90 l/h
Max line capacity for correct dosing:	1000 l/h
Injection frequency:	3 IMPULSES PER L.
Dosing per Lt in P205:	ppm 3,5 ± 0,5
Load autonomy m <sup>3</sup> :	10 ca
Tank capacity:	230 cc

CODE	MODEL	INLET/OUTLET	DIMENSIONS (mm) e x c x b x d x a x f	l/min	PACKING carton
A8040M10	MINIDOS	1/2" M	110 x 95 x 135 x 30 x 165 x 90	18	12
A8040M20	MINIDOS and kit	1/2" M	110 x 95 x 135 x 30 x 165 x 90	18	12
A8040K10	MINIDOS CONNECTING KIT				1
A8040M30	MINIDOS with connector 1/2" DIMA	1/2" M	110 x 95 x 135 x 30 x 165 x 90	18	12



OPTIONAL



ADAPTOR KIT  
in plated copper

TYPICAL INSTALLATION



BOILER



WASHING MACHINE



**BravaDOS**



**TECHNICAL CHARACTERISTICS**

Coil R <sub>L</sub> ≤ 8,5ΩT:	D.C. voltage
Power supply:	230V ± 15%:50-60 Hz
Max power:	3,5 W
Power:	1 W at rest
Fast fuse:	1 A 5x20 EST
Max driving frequency:	1,5 Hz
Propeller sensor:	Hall type
Unit operation block:	through switch
Power indication:	GREEN LED ON
Working indicator:	GREEN LED FLASHING
Empty tank indicator:	RED LED ON
Output pulse:	Every 20 revolution D.G.
Power cable:	IMQ cable with plug 10 A 3 x 0,75
Earth cable:	110 cm length + earth pin
Printed circuit:	self-extinguish resin
Error allowance:	0% of revolution counting
Connection:	mini faston 4,8 x 0,8 for the coil and printed circuit

**BRAVADOS - Volumetric dosing pump**

**Why BRAVADOS?**

According to latest safety regulations, metering of antiscalant and anti corrosive for the treatment should be proportional to water flow in any operation condition, with metered quantity not higher than the concentration of 5 ppm as P205 per litre of treated water. AQUA has realized a new PROPORTIONAL equipment for a SAFE and ACCURATE metering.

**What's BRAVADOS?**

It's a volumetric dosing pump for the proportional dosing of AQUASIL 20/40 in the drinkable water to avoid possible scaling and corrosion of the hydraulic circuits.

**Operating**

BRAVADOS is for dosing liquids only. Pumping is driven by an electronic circuit which ensure a precise proportional metering. Dosing functioning is obtained through the sensor "HALL TYPE EFFECT" reading the water flow transmitted to the circuit which effects a statistic of the water flow and drives the pumping frequency. BRAVADOS starts dosing operation from a minimum drawing of 90 l/h with injection frequency every 0.3 lts, by means of an injection valve, which establishes the instant mixing of AQUASIL 20/40 into the water.

**Pump priming**

MINIDOS is completely self-priming; simply introduce AQUASIL 20/40 bottle into the locking-connection. The pump is protected against the hydraulic circuit counter-pressure by a non-return double valve.

**CONNECTION**

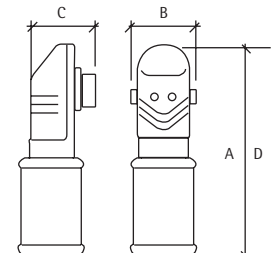
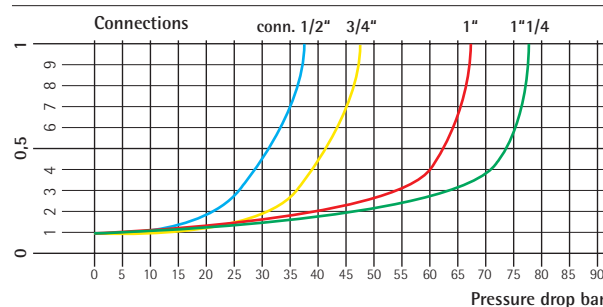
OPERATING LIMITS		1/2"	3/4"	1"	1"1/4"
Min-max pressure:	1,5 - 6 ATM				
Max water temperature:	40°C				
Min line capacity for correct dosing:	l/h	30	60	90	120
Max line capacity for correct dosing:	l/h	1500	2500	3600	4200
Injection frequency:	Injections x l	3.5	2.5	2.0	2.0
Dosing per L in P205:	ppm 3,5				
Load autonomy m <sup>3</sup> :	circa	22	47	120	120
Tank capacity:	cc	500	1000	2500	2500

**OPTIONAL**

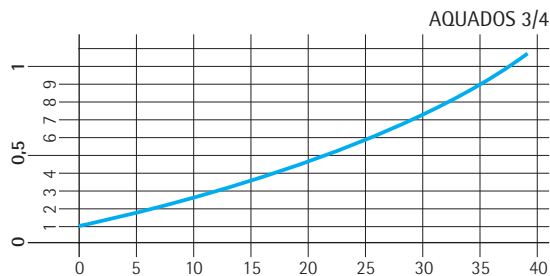
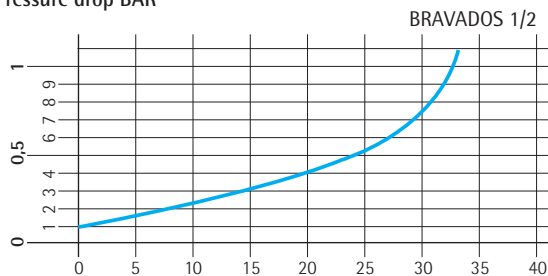


**ADAPTOR KIT**  
for pump with connection to 1/2"

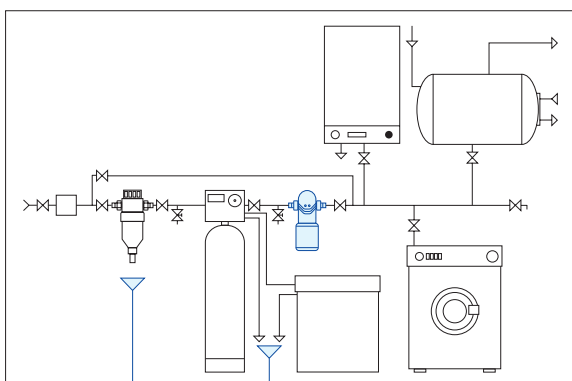
CODE	MODEL	INLET/OUTLET	DIMENSIONS (mm)	lt/min	PACKING	Kg
A8040010	BRAVADOS	1/2" M	a x b x c x d	25	carton	19
A8040020	BRAVADOS	3/4" M		40		23
A8040070	BRAVADOS	1" M		60		2.6
A8040080	BRAVADOS	1"1/4 M		70		2.7
A8040K20	BRAVADOS CONNECTING KIT FOR 1/2" F ONLY					0.2



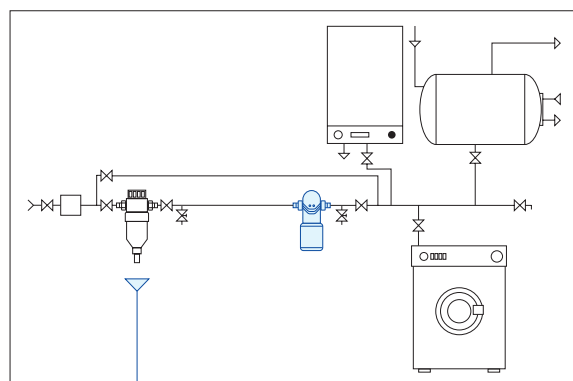
Pressure drop BAR



Schematic showing Typical Installation



A - UNI-CTI 8065 NORMS (filtration, softening and dosing) - Typical centralized system drawing - Domestic water system and hot water production - Treatment of waters with hardness higher than 25° F



B - UNI-CTI 8065 NORMS (filtration and dosing) - Typical centralized system drawing - Domestic water system and hot water production - Treatment of waters with hardness lower than 25° F



acquaSIL 20/40

**STOPS CALCIUM DEPOSITS!**

AquaSIL 20/40 is an anticorrosive and antiscalant combined solution of specific mineral salts for potable water treatment and is suitable for water hardness from 0 to 60° F.

AquaSIL 20/40 complies with OMS purity indications. It has been designed to be dosed exclusively with BRAVADOS which ensure the max quantity allowed of 5 ppm/l of P205.

CODE	MODEL	VOLUME	PACKING
A8040030	ACQUASIL 20/40	BOTTLE Kg 1	carton 8

**APPLICATION DUTIES**

AquaSIL 20/40 is normally utilised as anticorrosive and antiscalant due to the salts and gas contained into water systems.

Dosing AquaSIL 20/40 ensures the perfect and low cost answer to such inconvenient, for temperatures up to 75-80°C.

**CHEMICAL-PHYSICAL CHARACTERISTICS**

Appearance:	liquid, clear, colourless
PH solution 1%:	6,4±0,2

**TOXICOLOGICAL INFORMATION**

Substance identification:

- Chemical name: sodium polyphosphate esametaphosphate
- Commercial name: sodium esametaphosphate

Composition: 100% sodium esametaphosphate  
 CAS number: 68915-31 / EIMECS number: 27/28083  
 AQUA SPA commercial name: **ACQUA 20/40**  
 AQUASIL 20/40 compound solution: **18% Sodium esametaphosphate of P<sub>2</sub>O<sub>5</sub> / 82% water**





aqua AE

**AE-PH**

Instrument for measurement & regulation of pH over range 0-14.  
 2 set-points with independent On/Off 230v relay outputs.  
 Manual temperature compensation 0-100C.  
 4-20 mA output for chart recording.  
 LCD Display.  
 PP enclosure.  
 pH electrode not included.  
 Power Supply as standard 230vAC.

**AE-RX**

Instrument for measurement & regulation of Redox potential over range 0-1999mv.  
 2 set-points with independent On/Off 230v relay outputs.  
 4-20 mA output for chart recording.  
 LCD Display. PP enclosure.  
 Redox electrode not included.  
 Power Supply as standard 230vAC.

**AE-CL**

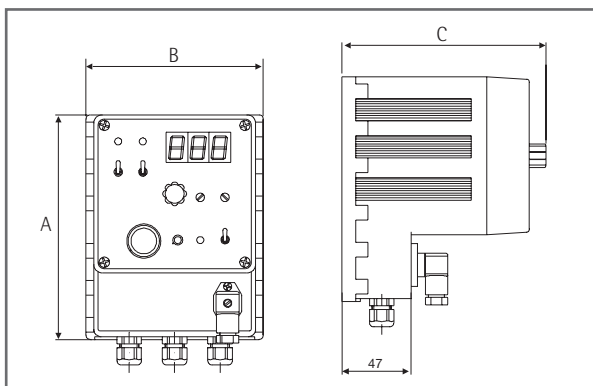
Instrument for measurement & regulation of free chlorine over range 0-10 ppm.  
 2 set-points with independent On/Off 230v relay outputs.  
 4-20 mA output for chart recording.  
 LCD Display. PP enclosure.  
 Chlorine electrode not included (compatible with A-CG models).  
 Power Supply as standard 230vAC.

**AE-CD**

Instrument for measurement & regulation of conductivity over range 0-20000 µS.  
 Other ranges on request are 0-2000µS or 0-200µS.  
 Manual temperature compensation 0-100C.  
 4-20 mA output for chart recording.  
 LCD Display.  
 PP enclosure.  
 Conductivity electrode not included (compatible with A-CD probe with exclusion of the termocompensate).  
 Power Supply as standard 230vAC.



CODE	MODEL	PACKING DIMENSIONS (mm) a x b x c	PACKING carton	Kg	CONSUMPTION watt
ADEPH	AE-PH	152 X 120 X 138	1	2	2
ADERX	AE-RX	152 X 120 X 138	1	2	2
ADECL	AE-CL	152 X 120 X 138	1	2	2
ADECD	AE-CD 0-20000 µs	152 X 120 X 138	1	2	2
ADECD1	AE-CD 0-2000 µs	152 X 120 X 138	1	2	2
ADECD4	AE-CD 0-200 µs	152 X 120 X 138	1	2	2



**DIMENSIONS a x b x c (mm):**  
152 x 120 x 138

## aqua AR-20

**AR-20 PH**

Instrument for measurement & proportional control of pH over range 0-14pH.  
Microprocessor technology with digital control & LCD display.  
2 set-points with independent adjustment & On/Off volt free relay outputs.  
Hysteresis adjustment & programmable delay.  
Manual temperature compensation 0-100°C.  
4-20 mA output for chart recording.  
Panel mounting enclosure 96 x 96 x 118. pH electrode not included.  
Power Supply as standard 230vAC.

**AR-20 RX**

Instrument for measurement & proportional control of Redox potential over range 0-1000 mV.  
Microprocessor technology with digital control & LCD display.  
2 set-points with independent adjustment & On/Off volt free relay outputs.  
Hysteresis adjustment & programmable delay.  
4-20 mA output for chart recording.  
Panel mounting enclosure 96 x 96 x 118.  
Redox electrode not included.  
Power Supply as standard 230vAC.

**AR-20 CL**

Instrument for measurement & proportional control of free chlorine over range 0-10 ppm.  
Microprocessor technology with digital control & LCD display.  
2 set-points with independent adjustment & On/Off volt free relay outputs.  
Hysteresis adjustment & programmable delay.  
4-20 mA output for chart recording.  
Panel mounting enclosure 96 x 96 x 118.  
Chlorine electrode not included (compatible with A-CG models).  
Power Supply as standard 230vAC.

**AR-20 CD**

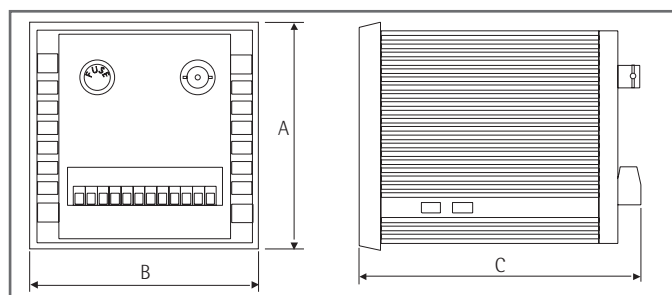
Instrument for measurement & proportional control of conductivity over range 0-10000µS.  
Other ranges on request are 0-1000µS or 0-100µS.  
Microprocessor technology with digital control & LCD display.  
2 set-points with independent adjustment & On/Off volt free relay outputs.  
Hysteresis adjustment & programmable delay.  
Manual temperature compensation.  
4-20 mA output for chart recording.  
Panel mounting enclosure 96 x 96 x 118. Conductivity electrode not included (compatible with all A-CD probes).  
Power Supply as standard 230vAC.

**AR-20 T°**

Instrument for measurement & proportional control of temperature over range 0-100°C.  
Microprocessor technology with digital control & LCD display.  
2 set-points with independent adjustment & On/Off outputs volt free outputs.  
High/Low Hysteresis adjustment with programmable delay.  
4-20 mA output for chart recording.  
Panel mounting enclosure 96x96x118.  
Temperature probe not included (compatible with A-ST1 probe).  
Power Supply as standard 230vAC.



CODE	MODEL	PACKING DIMENSIONS (mm)	PACKING carton	Kg	CONSUMPTION	
		a x b x c			watt	
ADR20PH	AR-20 PH	170 x 110 x 110	1	1	2	
ADR20RX	AR-20 RX	170 x 110 x 110	1	1	2	
ADR20CL	AR-20 CL	170 x 110 x 110	1	1	2	
ADR20CD	AR-20 CD 0-10 mS	170 x 110 x 110	1	1	2	
ADR20CD1	AR-20 CD 0-1000 µs	170 x 110 x 110	1	1	2	
ADR20CD2	AR-20 CD 0-100 µs	170 x 110 x 110	1	1	2	
ADR20T	AR-20 T	170 x 110 x 110	1	1	2	



**DIMENSIONS a x b x c (mm):**  
96 x 96 x 118



aqua ADIN-20



**ADIN-20 PH**

Instrument for measurement & proportional control of pH over range 0-14 pH.  
 Microprocessor technology with digital control & LCD display.  
 2 set-points with independent adjustment & On/Off volt free relay outputs.  
 Hysteresis adjustment & programmable delay.  
 Manual temperature compensation 0-100°C.  
 4-20 mA output for chart recording.  
 DIN6 module for rail mounting 106 x 90 x 58.  
 pH electrode not included.  
 Power Supply as standard 230vAC.

**ADIN-20 RX**

Instrument for measurement & proportional control of Redox potential over range 0-1000 mV.  
 Microprocessor technology with digital control & LCD display.  
 2 set-points with independent adjustment & On/Off volt free relay outputs.  
 Hysteresis adjustment & programmable delay.  
 4-20 mA output for chart recording.  
 DIN6 module for rail mounting 106 x 90 x 58.  
 Redox electrode not included.  
 Power Supply as standard 230vAC.

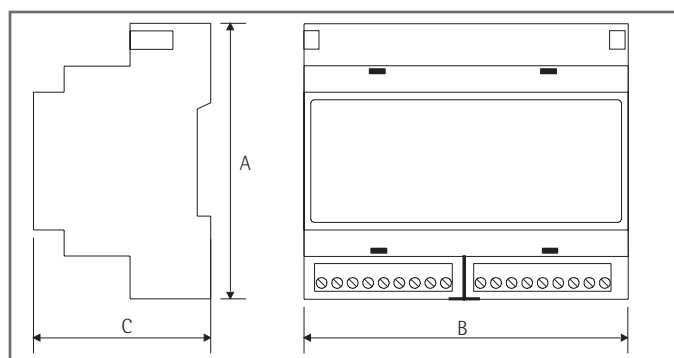
**ADIN-20 CL**

Instrument for measurement & proportional control of free chlorine over range 0-10 ppm.  
 Microprocessor technology with digital control & LCD display.  
 2 set-points with independent adjustment & On/Off volt free relay outputs.  
 Hysteresis adjustment & programmable delay.  
 4-20 mA output for chart recording.  
 DIN6 module for rail mounting 106 x 90 x 58.  
 Chlorine electrode not included (compatible with A-CG models).  
 Power Supply as standard 230vAC.

**ADIN-20 CD**

Instrument for measurement & proportional control of conductivity over range 0-10000 µS.  
 Other ranges on request are 0-1000µS or 0-100µS.  
 Microprocessor technology with digital control & LCD display.  
 2 set-points with independent adjustment & On/Off volt free relay outputs.  
 Hysteresis adjustment & programmable delay.  
 Manual temperature compensation. 4-20 mA output for chart recording.  
 DIN6 module for rail mounting 106 x 90 x 58. Conductivity electrode not included (compatible with all A-CD probes).  
 Power Supply as standard 230vAC.

CODE	MODEL	PACKING DIMENSIONS (mm)	PACKING	Kg	CONSUMPTION
		a x b x c	carton		watt
ADIN20PH	ADIN-20 PH	170 x 110 x 110	1	1	2
ADIN20RX	ADIN-20 RX	170 x 110 x 110	1	1	2
ADIN20CL	ADIN-20 CL	170 x 110 x 110	1	1	2
ADIN20CD	ADIN-20 CD 0-10000 µS	170 x 110 x 110	1	1	2
ADIN20CD1	ADIN-20 CD 0-1000 µS	170 x 110 x 110	1	1	2
ADIN20CD2	ADIN-20 CD 0-100 µS	170 x 110 x 110	1	1	2



**DIMENSIONS a x b x c (mm):**  
96 x 106 x 58

## aqua AR-96

**AR-96 PH**

Instrument for measurement & proportional control of pH over range 0-14 pH.  
Microprocessor technology with digital control & LCD display.  
3 set-points independently adjustable with 2 On/Off volt free relay outputs.  
& 1 timed pulse proportional volt free relay output.  
Hysteresis adjustment & programmable delay.  
Manual & automatic temperature compensation 0-100°C.  
4-20 mA output for chart recording with galvanic isolation.  
4-20 mA proportional output.  
Panel mounting enclosure 144 x 72 x 134.  
pH electrode not included. Power Supply as standard 230vAC.

**AR-96 RX**

Instrument for measurement & proportional control of Redox potential over range 0-2000 mV.  
Microprocessor technology with digital control & LCD display.  
3 set-points independently adjustable with 2 On/Off volt free relay outputs.  
& 1 timed pulse proportional volt free relay output.  
Hysteresis adjustment & programmable delay.  
4-20 mA output for chart recording with galvanic isolation.  
4-20 mA proportional output.  
Panel mounting enclosure 144 x 72 x 134.  
Redox electrode not included. Power Supply as standard 230vAC.

**AR-96 CL**

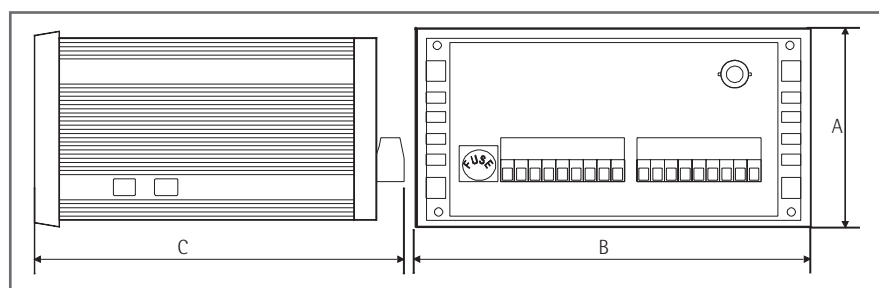
Instrument for measurement & proportional control of free chlorine over range 0-10 ppm.  
Microprocessor technology with digital control & LCD display.  
3 set-points independently adjustable with 2 On/Off volt free relay outputs.  
& 1 timed pulse proportional volt free relay output.  
Hysteresis adjustment & programmable delay.  
4-20 mA output for chart recording with galvanic isolation.  
4-20 mA proportional output.  
Panel mounting enclosure 144 x 72 x 134.  
Chlorine electrode not included (compatible with A-CG models). Power Supply as standard 230vAC.

**AR-96 CD**

Instrument for measurement & proportional control of conductivity over range 0-20000 µS.  
Other ranges on request are 0-2000µS or 0-200µS.  
Microprocessor technology with digital control & LCD display.  
3 set-points independently adjustable with 2 On/Off volt free relay outputs.  
& 1 timed pulse proportional volt free relay output.  
Hysteresis adjustment & programmable delay.  
Manual & automatic temperature compensation 0-100°C.  
Temperature probe not included (compatible with A-ST1 probe).  
4-20 mA output for chart recording with galvanic isolation.  
4-20 mA proportional output.  
Panel mounting enclosure 144 x 72 x 134.  
Conductivity electrode not included (compatible with A-CD probe with exclusion of the termocompensate).  
Power Supply as standard 230vAC.



CODE	MODEL	PACKING DIMENSIONS (mm)	PACKING	Kg	CONSUMPTION
		a x b x c			watt
ADR96PH	AR-96 PH	210 x 210 x 130	1 carton	1	4
ADR96RX	AR-96 RX	210 x 210 x 130	1 carton	1	4
ADR96CL	AR-96 CL	210 x 210 x 130	1 carton	1	4
ADR96CD	AR-96 CD 0-20000 µS	210 x 210 x 130	1 carton	1	4
ADR96CD1	AR-96 CD 0-2000 µS	210 x 210 x 130	1 carton	1	4
ADR96CD2	AR-96 CD 0-200 µS	210 x 210 x 130	1 carton	1	4



**DIMENSIONS**  
a x b x c (mm):  
72 x 144 x 134



aqua AW-96

**AW-96 PH**

Instrument for measurement & proportional control of pH over range 0-14 pH. Microprocessor technology with digital control & LCD display. 3 set-points independently adjustable with On/Off volt free relay outputs and 1 pulse proportional volt free relay output. Hysteresis adjustment & programmable delay. 4-20 mA output for chart recording with galvanic isolation. 4-20 mA proportional output. Vertical mounting version IP65 enclosure. pH electrode not included. Power Supply as standard 230vAC. Exit RS232STD.

**AW-96 RX**

Instrument for measurement & proportional control of Redox potential over range 0-2000 mV. Microprocessor technology with digital control & LCD display. 3 set-points independently adjustable with On/Off volt free relay outputs and 1 pulse proportional volt free relay output. Hysteresis adjustment & programmable delay. 4-20 mA output for chart recording with galvanic isolation. 4-20 mA proportional output. Vertical mounting version IP65 enclosure. Redox electrode not included. Power Supply as standard 230vAC. Exit RS232STD.

**AW-96 CL**

Instrument for measurement & proportional control of free chlorine over range 0-10 ppm. Microprocessor technology with digital control & LCD display. 3 set-points independently adjustable with On/Off volt free relay outputs and 1 pulse proportional volt free relay output. Hysteresis adjustment & programmable delay. 4-20 mA output for chart recording with galvanic isolation. 4-20 mA proportional output. Vertical mounting version IP65 enclosure. Chlorine electrode not included (A-CG). Power Supply as standard 230vAC. Exit RS232STD.

**AW-96 CL/J**

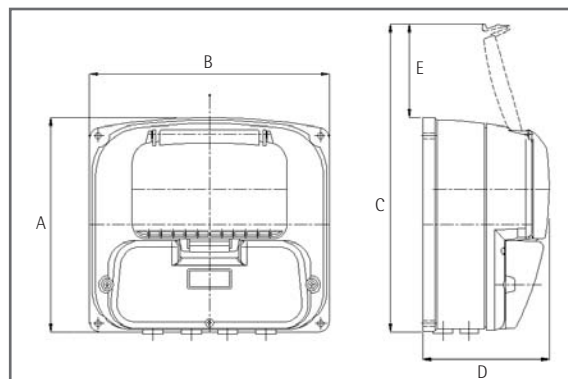
Instrument for measurement & proportional control of free chlorine over range 0-5 ppm. Microprocessor technology with digital control & LCD display. 3 set-points independently adjustable with On/Off volt free relay outputs and 1 pulse proportional volt free relay output. & 1 timed pulse proportional volt free relay output. Hysteresis adjustment & programmable delay. 4-20 mA output for chart recording with galvanic isolation. 4-20 mA proportional output. Vertical mounting version IP65 enclosure. Chlorine electrode not included (A-J). Power Supply as standard 230vAC. Exit RS232STD.

**AW-96 CD**

Instrument for measurement & proportional control of conductivity over range 0-20000µS. Other ranges on request are 0-2000µS or 0-200µS. Microprocessor technology with digital control & LCD display. 3 set-points independently adjustable with On/Off volt free relay outputs and 1 pulse proportional volt free relay output. & 1 timed pulse proportional volt free relay output. Hysteresis adjustment & programmable delay. Manual and automatic temperature compensation 0-100°C. Temperature probe not included (compatible with A-ST1 probe). 4-20 mA output for chart recording with galvanic isolation. 4-20 mA proportional output. Vertical mounting version IP65 enclosure. Conductivity electrode not included (compatible with A-CD probe with exclusion the termocompensate). Power Supply as standard 230vAC. Exit RS232STD.



CODE	MODEL	PACKING DIMENSIONS (mm)	PACKING	Kg	CONSUMPTION
		a x b x c	carton		watt
ADW96PH	AW-96 PH	350 x 300 x 160	1	1	4
ADW96RX	AW-96 RX	350 x 300 x 160	1	1	4
ADW96CL	AW-96 CL	350 x 300 x 160	1	1	4
ADW96CD	AW-96 CD 0-20000µS	350 x 300 x 160	1	1	4
ADW96CD1	AW-96 CD 0-2000 µS	350 x 300 x 160	1	1	4
ADW96CD2	AW-96 CD 0-200 µS	350 x 300 x 160	1	1	4
ADW96CLJ	AW-96-CL/J	350 x 300 x 160	1	1	4



**DIMENSIONS a x b x c x d x e (mm):**  
212 x 237 x 304 x 125 x 92

aqua A-MULTI

**A-MULTI PHRXCLT**

Multifunction instrument for measurement & proportional control of:  
 pH range 0-14, Chlorine range 0-10 ppm, Redox range 0-1999 mV & Temp range 0-100°C.  
 Microprocessor technology with digital control & LCD display.  
 5 set-points each adjustable with On/Off volt free relay outputs.  
 (2 for pH, 2 for Chlorine & 1 for Redox).  
 Timed pulse proportional volt free relay outputs, hysteresis adjustment & programmable delay.  
 Manual & automatic temperature compensation 0-100°C.  
 3 x 4-20 mA outputs for chart recording & 3 x 4-20 mA proportional outputs for pumps.  
 Input for proximity switch. Vertical mount IP65 enclosure. Probes and electrodes not included.  
 Chlorine cell & electrodes not included. Power Supply as standard 230vAC. Exit RS232STD.

**A-MULTI3 PHRXT**

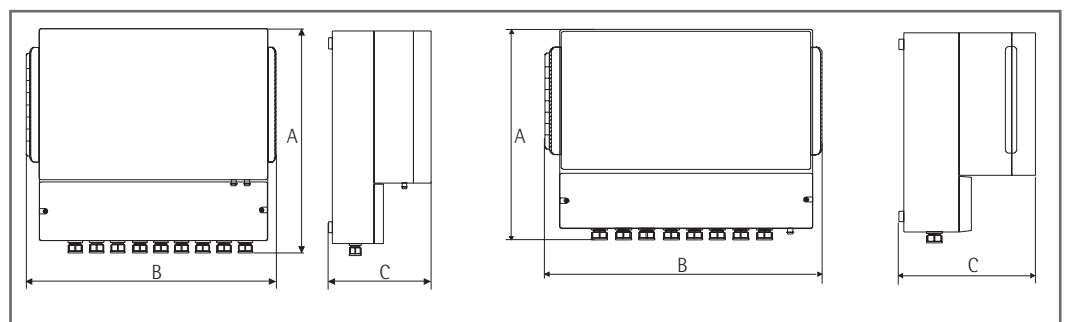
Multifunction instrument for measurement & proportional control of:  
 pH range 0-14, Redox range 0-1999 mV & Temp range 0-100°C.  
 Microprocessor technology with digital control & LCD display.  
 3 set-points each adjustable with On/Off volt free relay outputs (1 for pH, 2 for Redox).  
 Timed pulse proportional volt free relay outputs, hysteresis adjustment & programmable delay.  
 Manual & automatic temperature compensation 0-100°C.  
 2 x 4-20 mA outputs for chart recording & 2 x 4-20 mA proportional outputs for pumps.  
 Input for proximity switch.  
 Vertical mount IP65 enclosure.  
 Probes and electrodes not included.  
 Power Supply as standard 230vAC. Exit RS232STD.

**A-MULTI3 PHCLT**

Multifunction instrument for measurement & proportional control of:  
 pH range 0-14, Chlorine range 0-10 ppm & Temp range 0-100°C.  
 Microprocessor technology with digital control & LCD display.  
 3 set-points each adjustable with On/Off volt free relay outputs (1 for pH, 2 for Chlorine).  
 Timed pulse proportional volt free relay outputs, hysteresis adjustment & programmable delay.  
 Manual & automatic temperature compensation 0-100°C.  
 2 x 4-20 mA outputs for chart recording & 2 x 4-20 mA proportional outputs for pumps.  
 Input for proximity switch. Probes and electrodes not included. Vertical mount IP65 enclosure.  
 Chlorine cell & electrodes not included. Power Supply as standard 230vAC. Exit RS232STD.



CODE	MODEL	PACKING DIMENSIONS (mm) a x b x c	PACKING carton	Kg	CONSUMPTION watt
ADMLPRC	A-MULTI PHRXCLT	330 x 210 x 340	1	1,7	6
ADMLPRX	A-MULTI3 PHRXT	330 x 210 x 340	1	1,7	6
ADMLPCL	A-MULTI3 PHCLT	330 x 210 x 340	1	2	6



DIMENSIONS a x b x c (mm): 288,2 x 323 x 282,5

DIMENSIONS a x b x c (mm): 218 x 289 x 142,5



**A-CHLORO AW97**

**A-CHLORO AW97**

Panel system with On/Off or proportional control of Chlorine from 0-2 ppm comprising of:  
 1 AW-97 CL instrument  
 1 Water filter, Chlorine cell CLE1/D with flow regulator.  
 Power Supply as standard 230vAC

CODE	MODEL	DIMENSIONS (mm)	PACKING DIMENSIONS (mm)
		a x b x c	a x b x c
ADPCH	A-CHLORO AW97	800 x 600 x 200	830 x 630 x 300

A-CHLOR AW97 can be coupled to pumps having the following features:  
 ON/OFF mode, 4-20 mA input.



**A-CHLORO HC300 CL-P**

**A-CHLORO HC300 CL-P**

Panel system with On/Off or proportional control of Chlorine from 0-5 ppm comprising of:  
 1 Chlorine dosing pump HC 300 CL-P  
 1 Water filter, Chlorine cell ADCG5F complete with flow sensor and regulator.  
 Power Supply as standard 230vAC

CODE	MODEL	DIMENSIONS (mm)	PACKING DIMENSIONS (mm)
		a x b x c	a x b x c
ADPCH3	A-CHLORO HC300 CL-P 15-05	600 x 500 x 200	650 x 550 x 300
ADPCH34	A-CHLORO HC300 CL-P 02-09	600 x 500 x 200	650 x 550 x 300



**A-CHLORO AW96**

**A-CHLORO AW96 CL**

Panel system with On/Off or proportional control of Chlorine from 0-5 ppm comprising of:  
 1 AW-96 CL instrument  
 1 Water filter, Chlorine cell ADCG5F complete of flow sensor and regulator.  
 Power Supply as standard 230vAC

CODE	MODEL	DIMENSIONS (mm)	PACKING DIMENSIONS (mm)
		a x b x c	a x b x c
ADPCH2	A-CHLORO AW96	650 x 600 x 200	700 x 650 x 300

A-CHLORO AW96 can be coupled to pumps having the following features: ON/OFF mode, 4-20 mA input, P-I free pulse input.

**NOTE: INSTALLATION AND SETUP NOT INCLUDED.**

aqua A-CON

Threaded water meters for cold water SERIES A-CON/C dry dial

A-CON/C 1/2	Connections 1/2"	DN 13 mm	QN m <sup>3</sup> 1,5	PN16
A-CON/C 3/4	Connections 3/4"	DN 20 mm	QN m <sup>3</sup> 2,5	PN16
A-CON/C 1	Connections 1"	DN 25 mm	QN m <sup>3</sup> 3,5	PN16
A-CON/C 1 1/4	Connections 1" 1/4	DN 30 mm	QN m <sup>3</sup> 5	PN16
A-CON/C 1 1/2	Connections 1" 1/2	DN 40 mm	QN m <sup>3</sup> 10	PN16
A-CON/C 2	Connections 2"	DN 50 mm	QN m <sup>3</sup> 15	PN16

Threaded water meters for hot water SERIES A-CON/H dry dial

A-CON/H 1/2	Connections 1/2"	DN 13 mm	QN m <sup>3</sup> 1,5	PN16
A-CON/H 3/4	Connections 3/4"	DN 20 mm	QN m <sup>3</sup> 2,5	PN16
A-CON/H 1	Connections 1"	DN 25 mm	QN m <sup>3</sup> 3,5	PN16
A-CON/H 1 1/4	Connections 1" 1/4	DN 30 mm	QN m <sup>3</sup> 5	PN16
A-CON/H 1 1/2	Connections 1" 1/2	DN 40 mm	QN m <sup>3</sup> 10	PN16
A-CON/H 2	Connections 2"	DN 50 mm	QN m <sup>3</sup> 15	PN16



Standard: 4 impulses per litre.

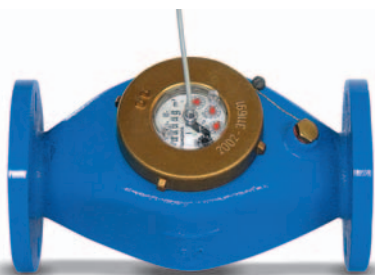
Upon request 1 imp/l - 2 imp/l - 1 imp/10l - 2 imp/10l - 4 imp/10l  
1 imp/100l 2 imp/100l - 4 imp/100l - 1 imp/1000l - 2 imp/1000l  
4 imp/1000l.

CODE	MODEL	PACKING	PACKING DIMENSIONS (mm)	Kg
		carton		
ADCONRC00	A-CON/C 1/2	1	-	-
ADCONRC01	A-CON/C 3/4	1	-	-
ADCONRC02	A-CON/C 1	1	-	-
ADCONRC03	A-CON/C 1 1/4	1	-	-
ADCONRC04	A-CON/C 1 1/2	1	-	-
ADCONRC05	A-CON/C 2	1	-	-
ADCONRH00	A-CON/H 1/2	1	-	-
ADCONRH01	A-CON/H 3/4	1	-	-
ADCONRH02	A-CON/H 1	1	-	-
ADCONRH03	A-CON/H 1 1/4	1	-	-
ADCONRH04	A-CON/H 1 1/2	1	-	-
ADCONRH05	A-CON/H 2	1	-	-

aqua A-F-CON

Flanged water meter for cold water SERIES A-CONF/C dry dial

A-F-CON/C 2	Flange 2"	DN 50 mm	QN m <sup>3</sup> 15	PN16
A-F-CON/C 2 1/2	Flange 2" 1/2	DN 65 mm	QN m <sup>3</sup> 25	PN16
A-F-CON/C 3	Flange 3"	DN 80 mm	QN m <sup>3</sup> 40	PN16
A-F-CON/C 4	Flange 4"	DN 100 mm	QN m <sup>3</sup> 60	PN16
A-F-CON/C 6	Flange 6"	DN 150 mm	QN m <sup>3</sup> 150	PN16
A-F-CON/C 8	Flange 8"	DN 200 mm	QN m <sup>3</sup> 250	PN16



Standard: 1 impulse per 100 litres.

Sizes 2", 2" 1/2 & 3" available 1 imp/10L - 4 imp/10L - 1 imp/1000L

Size 4" available from - 1 imp/100L. Sizes 6" & 8" available from - 1 imp/1000L

CODE	MODEL	PACKING	PACKING DIMENSIONS (mm)	Kg
		carton		
ADCONF05	A-F-CON/C 2	1	-	-
ADCONF06	A-F-CON/C 2 1/2	1	-	-
ADCONF07	A-F-CON/C 3	1	-	-
ADCONF08	A-F-CON/C 4	1	-	-
ADCONF10	A-F-CON/C 6	1	-	-
ADCONF11	A-F-CON/C 8	1	-	-





## aqua AG-F

**FAST SPEED - 3 PHASE - AG3-PVC/AG3-AISI-1400 RPM - MOTOR 230/380v - 50 Hz - 0.12HP**

CODE	MODEL	DOSING TANK	QUANTITY	PACKING DIMENSIONS (mm)	Kg	
			carton			
ADAG3P06F	AG3-PVC60/F	A-TANK 1	1	-	-	
ADAG3P07F	AG3-PVC70/F	A-TANK 2-3	1	-	-	
ADAG3P08F	AG3-PVC80/F	A-TANK 5	1	-	-	
ADAG3P09F	AG3-PVC90/F	A-TANK 10	1	-	-	
ADAG3A06F	AG3-AISI60/F	A-TANK 1	1	-	-	
ADAG3A07F	AG3-AISI70/F	A-TANK 2-3	1	-	-	
ADAG3A08F	AG3-AISI80/F	A-TANK 5	1	-	-	
ADAG3A09F	AG3-AISI90/F	A-TANK 10	1	-	-	

**FAST SPEED - 1 PHASE - AG1-PVC/AG1-AISI-1400 RPM - MOTOR 230v - 50 Hz - 0.12HP**

CODE	MODEL	DOSING TANK	QUANTITY	PACKING DIMENSIONS (mm)	Kg	
			carton			
ADAG1P06F	AG1-PVC60/F	A-TANK 1	1	-	-	
ADAG1P07F	AG1-PVC70/F	A-TANK 2-3	1	-	-	
ADAG1P08F	AG1-PVC80/F	A-TANK 5	1	-	-	
ADAG1P09F	AG1-PVC90/F	A-TANK 10	1	-	-	
ADAG1A06F	AG1-AISI60/F	A-TANK 1	1	-	-	
ADAG1A07F	AG1-AISI70/F	A-TANK 2-3	1	-	-	
ADAG1A08F	AG1-AISI80/F	A-TANK 5	1	-	-	
ADAG1A09F	AG1-AISI90/F	A-TANK 10	1	-	-	



## aqua AG-S

**SLOW SPEED - 3 PHASE - AG3-PVC/AG3-AISI - 70 RPM - MOTOR 230/380v - 50 Hz - 0.12HP**

CODE	MODEL	DOSING TANK	QUANTITY	PACKING DIMENSIONS (mm)	Kg	
			carton			
ADAG3P06S	AG3-PVC60/S	A-TANK 1	1	-	-	
ADAG3P07S	AG3-PVC70/S	A-TANK 2-3	1	-	-	
ADAG3P08S	AG3-PVC80/S	A-TANK 5	1	-	-	
ADAG3P09S	AG3-PVC90/S	A-TANK 10	1	-	-	
ADAG3A06S	AG3-AISI60/S	A-TANK 1	1	-	-	
ADAG3A07S	AG3-AISI70/S	A-TANK 2-3	1	-	-	
ADAG3A08S	AG3-AISI80/S	A-TANK 5	1	-	-	
ADAG3A09S	AG3-AISI90/S	A-TANK 10	1	-	-	

**SLOW SPEED - 1 PHASE - AG1-PVC/AG1-AISI - 70 RPM - MOTOR 230v - 50 Hz - 0.12HP**

CODE	MODEL	DOSING TANK	QUANTITY	PACKING DIMENSIONS (mm)	Kg	
			carton			
ADAG1P06S	AG1-PVC60/S	A-TANK 1	1	-	-	
ADAG1P07S	AG1-PVC70/S	A-TANK 2-3	1	-	-	
ADAG1P08S	AG1-PVC80/S	A-TANK 5	1	-	-	
ADAG1P09S	AG1-PVC90/S	A-TANK 10	1	-	-	
ADAG1A06S	AG1-AISI60/S	A-TANK 1	1	-	-	
ADAG1A07S	AG1-AISI70/S	A-TANK 2-3	1	-	-	
ADAG1A08S	AG1-AISI80/S	A-TANK 5	1	-	-	
ADAG1A09S	AG1-AISI90/S	A-TANK 10	1	-	-	



## aqua AG-MAN

**MANUAL MIXER IN PVC**

CODE	MODEL	DOSING TANK	QUANTITY	PACKING DIMENSIONS (mm)	Kg	
			carton			
ADAGMP06	AG- MAN-PVC60	A-TANK 1	1	-	-	
ADAGMP07	AG- MAN-PVC70	A-TANK 2-3	1	-	-	
ADAGMP09	AG- MAN-PVC90	A-TANK 5-10	1	-	-	

DOSING TANKS



A-TANK

		CODE	MODEL	DIMENSIONS	QUANTITY	VOLUME	Kg	
				Ø x H (mm)	carton	m <sup>3</sup>		
A-TANK 06	50 litri	ADTANK006	A-TANK 05	400 x 525	1	-	-	
A-TANK 1	100 litri	ADTANK010	A-TANK 010	500 x 680	1	-	-	
A-TANK 2	200 litri	ADTANK020	A-TANK 020	620 x 800	1	-	-	
A-TANK 3	300 litri	ADTANK030	A-TANK 030	710 x 890	1	-	-	
A-TANK 5	500 litri	ADTANK050	A-TANK 050	885 x 1000	1	-	-	
A-TANK 10	1000 litri	ADTANK100	A-TANK 10	1100 x 1200	1	-	-	

BUND TANKS



A-VSIC

		CODE	MODEL	DIMENSIONS	QUANTITY	VOLUME	Kg	
				Ø x H (mm)	carton	m <sup>3</sup>		
		ADVSIC010	A-VSIC 100	700 x 450	1	-	-	
		ADVSIC020	A-VSIC 200	800 x 600	1	-	-	
		ADVSIC030	A-VSIC 300	900 x 660	1	-	-	
		ADVSIC050	A-VSIC 500	1050 x 1000	1	-	-	
		ADVSIC100	A-VSIC 1000	1350 x 1050	1	-	-	

PVC SUPPORT FOR DOSING TANKS AND MIXERS

A-SUPP

		CODE	MODEL		
		ADSUPP010	A-SUPP → A-TANK 1		
		ADSUPP020	A-SUPP → A-TANK 2		
		ADSUPP030	A-SUPP → A-TANK 3		
		ADSUPP050	A-SUPP → A-TANK 5		
		ADSUPP100	A-SUPP → A-TANK 10		





## A-pH A-Rx

Combination pH/Rx electrodes.  
Epoxy body.  
Max pressure 5 bar.  
Max temperature 70°C  
With bonded cable.

CODE	MODEL	CABLE LENGTH	
ADELTPH01	A-pH 1	1 m	
ADELTPH05	A-pH 5	5 m	
ADELTPH10	A-pH 10	10 m	
ADELTRX01	A-Rx 1	1 m	
ADELTRX05	A-Rx 5	5 m	
ADELTRX10	A-Rx 10	10 m	



## A-VpH A-VRx

Combination pH/Rx electrodes.  
Glass body.  
Max pressure 5 bar.  
Max temperature 70°C.  
Without cable.  
SN6 Connection.

CODE	MODEL		
ADELVPH	A-VpH		
ADELVRX	A-VRx		



## A-PpH A-PRx

Combination pH/Rx electrodes.  
Epoxy body.  
Max pressure 5 bar.  
Max temperature 70°C  
Without cable.  
SN6 Connection.

CODE	MODEL		
ADELPPH	A-PpH		
ADELPRX	A-PRx		



## A-CV

Coaxial cable for use with electrodes  
with a BNC/SN6 connection.

CODE	MODEL	CABLE LENGTH	
ADCV01	A-CV 1	1 m	
ADCV02	A-CV 2,5	2,5 m	
ADCV05	A-CV 5	5 m	
ADCV10	A-CV 10	10 m	
ADCV15	A-CV 15	15 m	
ADCV20	A-CV 20	20 m	



## A-S

pH-Rx Buffer Solutions.

CODE	MODEL	USE	VALUE	PACK	
ADSPH4	BUFFER SOLUTION	pH	4 pH	75 ml	
ADSPH7	BUFFER SOLUTION	pH	7 pH	75 ml	
ADSPH73	BUFFER SOLUTION	pH	7,3 pH	75 ml	
ADSPH9	BUFFER SOLUTION	pH	9 pH	75 ml	
ADSRX	BUFFER SOLUTION	Rx	475 mV	75 ml	
ADSCD1	BUFFER SOLUTION	cd	1.413 $\mu$ S	75 ml	
ADSCD12	BUFFER SOLUTION	cd	12.880 $\mu$ S	75 ml	



**A-J**

Thermo-compensated electrode for measurement of free chlorine (organic, inorganic), total chlorine, available with pH compensation.

CODE	MODEL	USE	RANGE
ADELCLJ05	AMPEROMETRIC PROBE FOR FREE CHLORINE READING	INORGANIC CHLORINE	0-5 ppm
ADELCLJ15	AMPEROMETRIC PROBE FOR FREE CHLORINE READING LOW pH INFLUENCE	INORGANIC CHLORINE	0-5 ppm
ADELCLJ25	AMPEROMETRIC PROBE FOR FREE CHLORINE READING LOW pH INFLUENCE	INORGANIC CHLORINE	0-5 ppm
ADELCLJ35	AMPEROMETRIC PROBE FOR TOTAL CHLORINE READING LOW pH INFLUENCE	CHLORINE	0-5 ppm



**A-CG**

Self cleaning chlorine cell (Pt-Cu) Range 0-5 ppm Pressure max 3 bar Temperature 5-60°C Flow rate 40-50 l/h. Only for ADCG5F e ADCG6F: flow regulation, water check valve, pH/Rx/T probe facility, protection filter 80 micron, adjustable flow sensor. Inlet-Outlet connection 10x14.

CODE	MODEL	USE	RANGE
ADCG2	Pt-Cu AMPEROMETRIC PROBE FOR FREE CHLORINE	CHLORINE	0-5 ppm
ADCG5F	Pt-Cu AMPEROMETRIC PROBE FOR FREE CHLORINE	CHLORINE	0-5 ppm
ADCG6F	Pt-Cu AMPEROMETRIC PROBE FOR FREE CHLORINE	CHLORINE	0-5 ppm



**A-Panel CLE1D**

AMPEROMETRIC CHLORINE CELL with automatic mechanical cleaning complete with overflow and mounted on a PVC panel 33x33 cm.

CODE	MODEL
ADCLE1DC	A-PANEL CLE1D COMPLETE
ADPANCS	PANEL + OVERFLOW
ADISF	TRANSPARENT PVC OVERFLOW
ADSPSP	BRUSHES
ADSPCP	PYREX BOWL
ADCLE1D	CHLORINE CELL A-CLE1D

**A-SP**

Proximity switch for chlorine cell ACG3.

CODE	MODEL
ADSF2	A-SP

**A-SL**

Level probe float switch with 2 metre cable and bracket to fit to footvalve strainer.

CODE	MODEL
ADSLG	A-SL with connector for HC1/2/3/4
ADSLG1	A-SL without connector for HC897

**A-CD**

Conductivity probes with PVC or PTFE body and bonded 3 m cable. Models PACCDK1, PACCDK5, TACCDK1 and TACCDK5 are temperature compensated from 0-100° C  
 P= PVC  
 T=PTFE  
 A=AISI  
 G=GRAFITHE  
 C=TERMOCOMPENSATE  
 CDK1=Conductivity K1  
 CDK5=Conductivity K5

CODE	MODEL	MEASURING RANGE
		μS
ADPACDK1	P A CDK1	0-20000
ADPACDK5	P A CDK5	0-200/0-2000
ADTGCDK1	T G CDK1	0-20000
ADTACDK1	T A CDK1	0-20000
ADTACDK5	T A CDK5	0-200/0-2000
ADPACCDK1	P A C CDK1	0-20000
ADPACCDK5	P A C CDK5	0-200/0-2000
ADTACCDK1	T A C CDK1	0-20000
ADTACCDK5	T A C CDK5	0-200/0-2000

**A-FV**

Water Filter fitted with 80 micron net cartridge and 4/6mm or 10/14mm hose connectors. Black PP.

CODE	MODEL	CONNECTION
ADFV	Filter G 3/8" - 4 x 6	G 3/8" - 4 x 6
ADFV3	Filter G 1/2" - 10 x 14	G 1/2" - 10 x 14

**A-VSC**

PRV/PLV Anti-siphon or back pressure valve suitable for use with 4/6 mm hose.

CODE	MODEL
ADVSC	A-VSC 4x6



## A-LAS

Suction lance with foot valve strainer and level probe float switch for dosing tanks  
 A-TANK 1.  
 A-TANK 2-3  
 A-TANK 5-10  
 PVC thread.  
 4x6 tube size and upon request 10x14.

CODE	MODEL	CONNECTION	TANK
ADLAS1000	SUCTION LANCE	4 x 6	100 L
ADLAS2300	SUCTION LANCE	4 x 6	200-300 L
ADLAS5100	SUCTION LANCE	4 x 6	500 L
ADLAS1001	SUCTION LANCE	10 x 14	100 L
ADLAS2301	SUCTION LANCE	10 x 14	200-300 L



## A-STF2

Vertical/wall mounting bracket for HC200 series dosing pumps.

CODE	MODEL
ADSTF200	A-STF2



## A-BASE3

Horizontal mounting bracket for HC300 series dosing pumps.

CODE	MODEL
ADBAS300	A-BS3



## A-BASE1

Horizontal mounting bracket for HC100 series dosing pumps.

CODE	MODEL
ADBAS100	A-BS1



## A-CAN

Injection fitting extension quill

CODE	MODEL
ADCAN3	A-CAN PVC double thread 3/8"-1/2" GM-1/2" GF



## A-ST

PT100 Temperature probes  
 1/2" Connection  
 Range 0-100°C  
 S/S electrodes  
 PVC or PTFE body

CODE	MODEL	BODY MATERIAL
ADSTT100	A-ST1	PTFE
ADSTP200	A-ST2	PVC



## A-PSD

Probe holder for 2 electrodes with earth ground rod.

CODE	MODEL	CONNECTION	
APSD	PROBE HOLDER	G3/8" - 4 x 6	
APSD2	PROBE HOLDER	G1/2" - 10 x 14	



## A-PST

Single probe holder G 1/2" threaded.

CODE	MODEL	CONNECTION	
ADPST1	THREADED PROBE HOLDER	G1/2"	



## A-PSI

Dip type probe holder, PVC material, different height, with protection cap.

CODE	MODEL	HEIGHT	
ADPSI05	DIP PROBE HOLDER	0,5 m	
ADPSI10	DIP PROBE HOLDER	1 m	
ADPSI15	DIP PROBE HOLDER	1,5 m	
ADPSI20	DIP PROBE HOLDER	2 m	
ADPSI30	DIP PROBE HOLDER	3 m	



## A-PSHC

Collar Probe holder for pipe DN50 (1 1/2") - DN63 (2"), with inlet fitting 4x6, complete with integrated bracket for peristaltic pump.

CODE	MODEL	PIPE DIAMETER	CONNECTION	
ADPSTC	COLLAR PROBE HOLDER WITH INJECTION	DN 50-63	4 x 6	



## A-COL

Collar for probe holder for DN50-DN63 pipe, with G 1/2" connection

COD	MOD	PIPE DIAMETER	CONNECTION	
ADSP6000111	THREADED COLLAR TEE FOR PIPE	DN 50	G1/2"	
ADSP6000113	THREADED COLLAR TEE FOR PIPE	DN 63	G1/2"	



## A-FLA

Flange for Dip type probe holder.

COD	MOD		
ADFLA	DIP PROBE HOLDER FLANGE		

**A-PSM**

Modular probe holder, componible up to 5 module, PVC body, Viton Seals, max pressare 5 bar, working temperaure 5-60°C.



ADSP3600004



ADSP3600009



ADSP3600005



ADSP3600010

**SINGLE**

CODE	MODEL	
ADSP3600004	MODULE WITH FILTER - FLOW SENSOR - WATER CHECK - TEMPERATURE CONNECTION	G 1/2" - 10x14
ADSP3600005	MODULE FOR ELECTRODE A-EL	-
ADSP3600010	MODULE FOR ELECTRODE A-J	-
ADSP3600009	MODULE FOR THREADED ELECTRODE PG13,5	-



x2

ADSP6100087

**A-PSM**

**ACCESSORIES**

CODE	MODEL	
ADSP6100087	CONNECTION KIT FOR 2 MODULES	
ADSP6100088	10X14 PIPE CONNECTION KIT G1/2"	
ADSP6000119	10X14 4 MT TUBE KIT	



x2

ADSP6100088

**A-PSM**

**COMPLETE**

CODE	MODEL	
ADPSM097	MODULAR PROBE HOLDER WITH FILTER - 1 X A-EL - GF 1/2"	G 1/2"-10x14
ADPSM01233	MODULAR PROBE HOLDER WITH FILTER - FLOW SENSOR - 2 X A-EL	G 1/2"-10x14







## COMPLETE PUMP HEAD WITH VITON (FPM) O-RINGS

CODE	DESCRIPTION
ADSP60000S8A	Pump head 2-15L PP-GL-VT
ADSP60000S8P	Pump head 2-15L PVDF-PTFE-VT
ADSP6000009G	Pump head 20L PP-GL-VT
ADSP6000040	Pump head 30-50L PVC-GL-VT
ADSP6000136	Pump head with automatic bleed valve PVC-CE-VT.

## COMPLETE PUMP HEAD WITH DUTRAL (EPDM) O-RINGS

CODE	DESCRIPTION
ADSP61000S8A	Pump head 2-15L PP-GL-DT
ADSP6000092	Pump head 2-15L PVDF-PTFE-DT
ADSP6100009G	Pump head 20L PP-GL-DT
ADSP6100040	Pump head 30-50L PVC-GL-DT

## O-RINGS IN VITON

CODE	DESCRIPTION
ADSP5007003	OR 3200 Pump head 2-15L
ADSP5007001	OR 2062 Pump head fitting 2-15L
ADSP5007017	OR 3218 Pump head 20L
ADSP5007019	OR 4312 Pump head 30-50L
ADSP5007006	OR 2081 Pump head fitting 30-50L

## O-RINGS IN DUTRAL (EPDM)

CODE	DESCRIPTION
ADSP5007004	OR 3200 Pump head 2-15L
ADSP5007002	OR 2062 Pump head fitting 2-15L
ADSP5007018	OR 3218 Pump head 20L
ADSP5007020	OR 4312 Pump head 30-50L
ADSP5007007	OR 2081 Pump head fitting 30-50L

## PUMP HEAD VALVES O-RINGS IN VITON (FPM)

CODE	DESCRIPTION
ADSP5005006	Suction/discharge 3/8" PP-GL-VT 4X6
ADSP5005006A	Suction/discharge 3/8" PVDF-PTFE-VT 4X6
ADSP5005031C	Suction/discharge 3/8" PP-CE-VT
ADSP5001002	Lip valve 30-50L

## PUMP HEAD VALVES O-RINGS IN DUTRAL (EPDM)

CODE	DESCRIPTION
ADSP5005006D	Suction/discharge 3/8" PP-GL-DT 4X6
ADSP5005019	Suction/discharge 3/8" PVDF-PTFE-DT 4X6
ADSP5005131C	Suction/discharge 3/8" PP-CE-DT
ADSP5002002	Lip valve 30-50L

## DIAPHRAGM

CODE	DESCRIPTION
ADSP6000416	Diaphragm PTFE 2-15 L
ADSP6000414	Diaphragm PTFE 2/4 L 20 bar
ADSP6000417	Diaphragm PTFE 20 L
ADSP6000418	Diaphragm PTFE 30-50 L

## INJECTION VALVE WITH VITON (FPM) SEALS

CODE	DESCRIPTION
ADSP6200007	Ball injection valve 1/2" PP-GL-VT 4x6
ADSP6200031	Ball injection valve 1/2" PVDF-PTFE-VT 4x6
ADSP6000051	Injection valve 1/2" PVC-VL-VT 30-50 L

## INJECTION VALVE WITH DUTRAL (EPDM) SEALS

CODE	DESCRIPTION
ADSP6200027	Ball injection valve 1/2" PP-GL-DT 4x6
ADSP6200032	Ball injection valve 1/2" PVDF-PTFE-DT 4x6
ADSP6100051	Injection valve 1/2" PVC-VL-DT 30-50 L

## FOOT VALVE STRAINER WITH VITON (FPM) SEALS

CODE	DESCRIPTION
ADSP6000001	Footvalve Straine PP-VL-VT 4x6
ADSP6000028	Footvalve Straine PVDF-PTFE-VT 4x6
ADSP6010006	Footvalve Straine PP-VL-VT 10x14

## FOOT VALVE STRAINER WITH DUTRAL (EPDM) SEALS

CODE	DESCRIPTION
ADSP6100001	Footvalve Strainer PP-VL-DT 4x6
ADSP6000029	Footvalve Strainer PVDF-PTFE-DT 4x6
ADSP6100018	Footvalve Strainer PP-VL-DT 10x14

## HOSES

CODE	DESCRIPTION
ADSP6000010	PVC clear hose 4x6 100 mt
ADSP6000012	PE hose 4x6 100 mt
ADSP6000440	PVC clear hose 10x14
ADSP6000016	PE hose 10x14

## PUMP HEAD PRIME VALVE KIT

CODE	DESCRIPTION
ADSP6500046	Kit PP body-Viton seals
ADSP6500046P	Kit PVDF body -Viton seals
ADSP6500047	Kit PP body-Dutral seals

## TIGHTENING TUBE KIT FOR BALL VALVE

CODE	DESCRIPTION
ADSP6500048	Kit PP 4x6 hose

## CIRCUIT BOARDS

CODE	DESCRIPTION	
ADSP9300011	SKD HC 897 90-260V lev.	
ADSP6000310	SKD HC 100 230V	
ADSP6000329	SKD HC 100 lev. 230V	
ADSP6000399	SKD HC 100 P-I 230V	
ADSP6000350	SKD HC 100 MA 230V	
ADSP6000362	SKD HC 100 2T SEC/MIN 230V	
ADSP6000349	SKD HC 100 PH 230V	
ADSP6000357	SKD HC 100 RX 230V	
ADSP6000358	SKD HC 200	
ADSP6000312	SKD HC 201/HC301 230V	
ADSP6000334A	SKD HC 200/HC300 PH/RX 230V	
ADSP6000328	SKD HC 300 230V	
ADSP6000365	SKD HC 300 P-I 230V	
ADSP6000305	SKD HC 300 MA 230V	
ADSP6000400	SKD HC 300 CL-P 230V	
ADSP6020107	PANEL + SKD HC 400 230V	
ADSP6020137	PANEL + SKD HC 400 P-I 230V	
ADSP6000124N	PANEL + SKD HC 400 MA 230V	



## Warranty

All the articles produced by Aqua are under warranty for a period of one year from the date of purchase. The terms of warranty require that:

The article be used following the instructions printed by the manufacturer, Aqua.

Installation and maintenance be carried out following the instructions of the manufacturer, Aqua. Goods under warranty be replaced only upon submission of faulty material and upon verification of the nature of the defect, which will be considered in light of technical data available from the data-base in the Aqua engineering department, where the results of daily product testing are recorded.

Warranty be limited to replacement of the faulty part only, to the exclusion of any other claim by the customer for direct or indirect damages caused by the product.

The customer pay all labor and transport expenses necessary for replacement of the part covered by the warranty.

Any warranty on Aqua products be suspended upon failure to comply with the general regulations printed by the manufacturer, or failure to comply with the relevant European regulations in force.

## General Sales Terms

Aqua accepts only written orders and reserves the right to confirm all orders.

Failure to comply with sales terms, including payment for the goods sold, will automatically result in the suspension of any delivery underway or any previously accepted orders.

The goods are sold EX-WORKS AQUA SpA FACTORY, meaning that the customer is authorized to collect the goods in the way deemed appropriate.

In the absence of specific instructions, Aqua will dispatch the goods at their discretion. Aqua accepts no liability for the goods after they have left the Aqua warehouses, therefore whoever picks up the goods will have to check to make sure the packages are in good condition and that there is the correct number of pieces, notwithstanding of the type of packing used.

Aqua reserves the right to make changes in the technical specifications and prices of its products, without providing advance notification.

Any litigation that may arise will be judged by the Competent Court of Reggio Emilia, the applicable law and the Italian law.

# AQUA

ING- CAT-102-3/08 **fenticepool**



#### Head Office:

AQUA S.p.A.: 42018 San Martino in Rio, (RE) / Phone:+39 0522 695805/85 - Fax:+39 0522 646160 / e-mail:aqua@aqua.it - Web:www.aqua.it

#### Branches:

- I** AQUA ITALIA SRL: Via E. Greco,5 - 02100 Vazia (Rieti) / Phone +39 0746 221420 - Fax +39 0746 221424 / Web: www.aqua.it - e-mail: inforieti@aqua.it
- UK** AQUA WATER SYSTEMS LTD: Stourport-on-Severn DY13 9QB / Phone: +44 (0)1299 827703 - Fax: +44 (0)1299 827704 / e-mail: info@askaqua.co.uk - Web: www.askaqua.co.uk
- F** AQUA FDI Sarl: 95300 Pontoise / Phone:+33 (0)1 30304040 - Fax:+33 (0)1 30301810 / Web:www.aqua-fdi.com - e-mail:contact@aqua-fdi.com
- E** AQUA FILTRACION S.A.: Pol. Ind. Castellbisbal Sud 08755 Castellbisbal, Barcellona / Phone:+34 (0)93 7711855 - Fax:+34 (0)93 7711772 / e-mail:info@aqua.es - Web:www.aqua.it
- PL** SECURA B.C. Sp. z o.o.: 04-388 Warsaw / Phone:+48 (0)22 8134569 - Fax:+48 (0)22 8132949 / e-mail:secura@secura.com.pl - Web:www.secura.com.pl
- RO** S.C. ROM-AQUA SRL: 310031, Arad / Phone:+40 (0)257 216601 - Fax:+40 (0)257 216602 / e-mail:romaqua@zappmobile.ro - selin@rdslink.ro - Web: www.filtre-apa.ro
- TR** AQUA SU ARITIMI SAN.TIC.MUHENDISLIK LTD: RIHTIM CAD.FRANSIZ GEDICI C BLOK 59/38, KARAKOY ISTANBUL / Phone: 0090 212 2920400 / Fax: 0090 212 2920323 e-mail: info@aqua.com.tr / Web: www.aqua.com.tr

The data and descriptions are of a merely illustrative nature and are not binding and may be changed without notice by the manufacturer.

